

4K HD Fixed Bullet Network Camera

IPC-B1E8-AF28K



Key Features

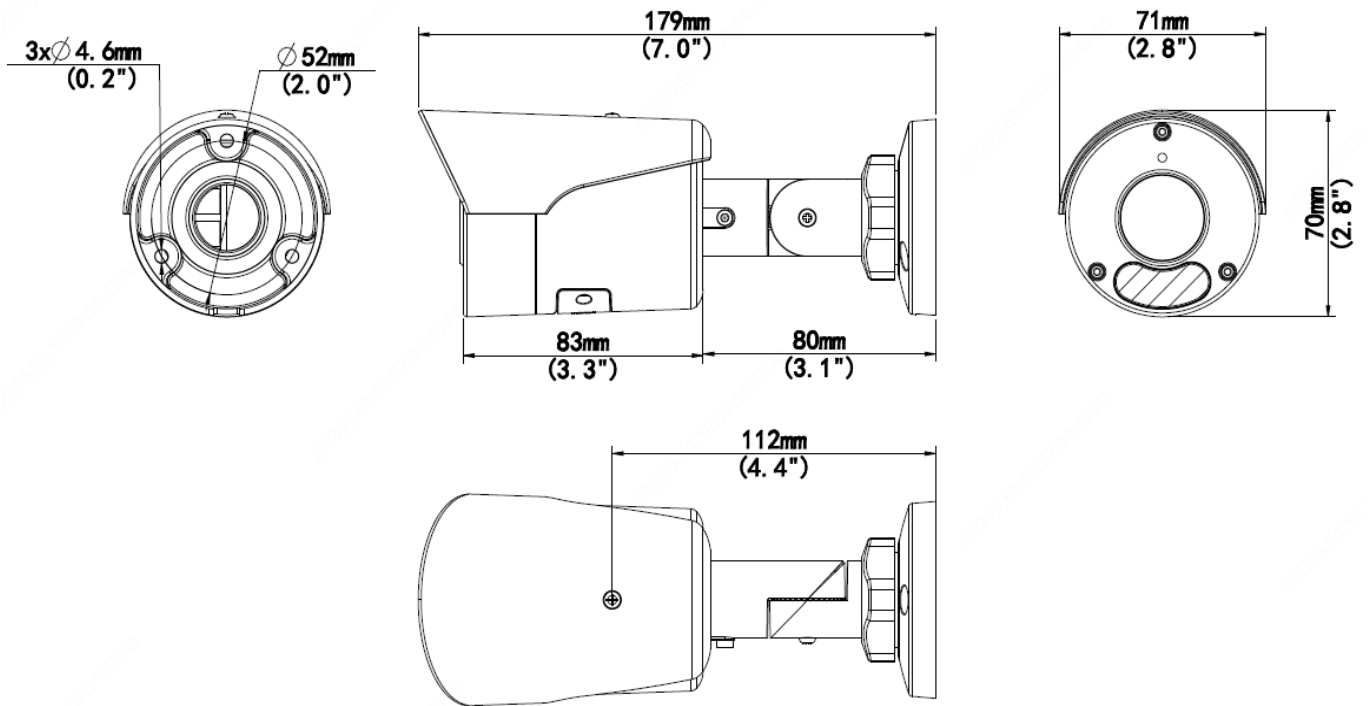
- High quality image with 8MP, 1/2.7" CMOS sensor
- 8MP(3840*2160)@20fps; 5MP(3072*1728)@30/25fps; 4MP(2560*1440)@30/25fps; 2MP(1920*1080)@30/25fps
- Ultra 265, H.265, H.264, MJPEG
- Easystar technology ensures high image quality in low illumination environment
- 120dB true WDR technology enables clear image in strong light scene
- Support 9:16 Corridor Mode
- Built-in Mic
- Smart IR, up to 50m (164ft) IR distance
- Supports 256 G Micro SD card
- IP67 protection
- Support PoE power supply

Specifications

| | | | | | |
|-------------------------|---|------------|-------------|---------------|--------------|
| IPC-B1E8-AF28K | | | | | |
| Camera | | | | | |
| Sensor | 1/2.7", 8.0 megapixel, progressive scan, CMOS | | | | |
| Minimum Illumination | Colour: 0.005Lux (F1.6, AGC ON) 0Lux with IR on | | | | |
| Day/Night | IR-cut filter with auto switch (ICR) | | | | |
| Shutter | Auto/Manual, 1 ~ 1/100000s | | | | |
| Adjustment angle | Pan: 0° ~ 360° Tilt: 0° ~ 90° Rotate: 0° ~ 360° | | | | |
| S/N | >56dB | | | | |
| WDR | 120dB | | | | |
| Lens | | | | | |
| Lens Type | 2.8mm @1.6, Fixed-focal | | | | |
| Lens Mount | M12 | | | | |
| Angle of View (H) | 112.9° | | | | |
| Angle of View (V) | 59.1° | | | | |
| Angle of View (O) | 121.2° | | | | |
| DORI | | | | | |
| DORI Distance | Lens (mm) | Detect (m) | Observe (m) | Recognize (m) | Identify (m) |
| | 2.8 | 84.0 | 33.6 | 16.8 | 8.4 |
| Illuminator | | | | | |
| IR Range | Up to 50m (164ft) IR range | | | | |
| Wavelength | 850nm | | | | |
| IR On/Off Control | Auto/Manual | | | | |
| Video | | | | | |
| Video Compression | Ultra 265, H.265, H.264, MJPEG | | | | |
| H.264 code profile | Baseline profile, Main profile, High profile | | | | |
| Frame Rate | Main Stream: 8MP (3840*2160), Max 20fps; 5MP (3072*1728), Max 30fps; 4MP (2560*1440), Max 30fps; 1080P (1920*1080), Max 30fps; Sub Stream: 1080P (1920*1080), Max 30fps; 720P (1280*720), Max 30fps; D1 (720*576), Max 30fps; 640*360, Max 30fps; 2CIF (704*288), Max 30fps; CIF (352*288), Max 30fps; | | | | |
| Video Bit Rate | 128 Kbps~16 Mbps | | | | |
| U-code | Supported | | | | |
| 9:16 Corridor Mode | Supported | | | | |
| OSD | Up to 4 OSDs | | | | |
| Privacy Mask | Up to 4 areas | | | | |
| ROI | Up to 8 areas | | | | |
| Motion Detection | Up to 4 areas | | | | |
| Image | | | | | |
| White Balance | Auto/Outdoor/Fine Tune/Sodium Lamp/Locked/Auto2 | | | | |
| Image Setting | Image rotation, brightness, saturation, contrast, sharpness, gain adjustable by web browser | | | | |
| Digital Noise Reduction | 2D/3D DNR | | | | |

| | |
|------------------------|--|
| Smart IR | Support |
| Flip | Normal/Vertical/Horizontal/180°/90°Clockwise/90°Anti-clockwise |
| Dewarping | N/A |
| HLC | Supported |
| BLC | Supported |
| Defog | Digital Defog |
| Events | |
| Intelligent Detection | Intrusion detection (based on human) |
| Basic Detection | Motion detection, tampering alarm, audio detection |
| General Function | Watermark, IP address filtering, tampering alarm, access policy, ARP protection, RTSP authentication, user authentication |
| Audio | |
| Audio Compression | G.711 |
| Suppression | Supported |
| Sampling Rate | 8KHZ |
| Storage | |
| Edge Storage | Micro SD, up to 256GB |
| Network Storage | ANR, NAS(NFS) |
| Network | |
| Protocols | IPv4, IGMP, ICMP, ARP, TCP, UDP, DHCP, PPPoE, RTP, RTSP, RTCP, DNS, DDNS, NTP, FTP, UPnP, HTTP, HTTPS, SMTP, 802.1x, SNMP, QoS, SSL/TLS, |
| Compatible Integration | ONVIF (Profile S, Profile G, Profile T), API, SDK |
| User/Host | Up to 32 users. 2 user levels: administrator and common user |
| Security | Password protection, Strong password, HTTPS encryption, Export operation logs, Basic and digest authentication for RTSP, Digest authentication for HTTP, TLS 1.2, WSSE and digest authentication for ONVIF |
| Client | Uniarch Client Uniarch APP |
| Web Browser | Plug-in required live view: IE9+, Chrome 41 and below, Firefox 52 and below |
| | Plug-in free live view: Chrome 57.0+, Firefox 58.0+, Edge 16+ |
| Interface | |
| Network | 1 * RJ45 10M/100M Base-TX Ethernet |
| Built-in Mic | Supported |
| General | |
| Power | 12 V DC±25%, PoE (IEEE802.3 af) |
| | Power consumption: Max 6.5W |
| Power Interface | Ø 5.5mm coaxial power plug |
| Dimensions (L × W × H) | 179×71×70mm (7.0"×2.8"×2.8") |
| Weight | 0.45kg (0.99lb) |
| Material | Metal |
| Working Environment | -30°C ~ +60°C (-22°F ~ 140°F), Humidity: ≤95% RH(non-condensing) |
| Storage Environment | -30°C ~ +60°C (-22°F ~ 140°F), Humidity: ≤95% RH(non-condensing) |
| Surge Protection | 4KV |
| Reset Button | Supported |
| Ingress Protection | Ingression protection: IP67 |

Dimensions



Accessories

TR-JB05-B-IN



TR-UP06-C-IN



www.uniview.com/uniarch

©2021 Zhejiang Uniview Technologies Co., Ltd. All rights reserved.

*Product specifications and availability are subject to change without notice.