

HA-KIT-P2

Video Intercom Two-Wire Bundle



Key Feature

Two-Wire Indoor Station

- Easy, Cost-Efficient Installation
- 7 inch Touch-Screen, User Friendly Interface, Plug & Play
- Receives Video Call And Unlocks On Mobile App Anywhere, Anytime

Villa Door Station

- High quality imaging with 2 MP resolution
- Easy, Cost-Efficient Installation
- User Friendly Design, Name tag, Communication status LED indicator
- IP65 water resistant, preventing water ingress for outdoor use

Specification

Two-Wire Villa Door Station

System parameters

Operation system	Embedded Linux operation system
Operation method	Single-button
Flash	32 MB
RAM	256 M

Video Parameters

Camera	2MP HD camera
Night vision	Low illumination IR supplement mode:3 m
BLC	Support
DNR	Support
WDR	True WDR
Field of view	Horizontal: 144° Vertical: 95°
Video compression standard	H.264
Stream	Main stream: 1080p@30fps, 720p@30fps Sub stream: 4CIF
Resolution	Main stream: 1920 × 1080p, 720p Sub stream: 704 × 576
Motion detection	Support
Anti-flicker frequency	50 Hz, 60 Hz

Audio parameters

Audio intercom	Two-way audio communication
Audio input	Built-in omnidirectional microphone
Audio output	Built-in loudspeaker
Audio compression standard	G.711 U, G.711 A
Audio compression Rate	64 Kbps
Audio quality	Noise suppression and echo cancellation

Network parameters

Wired network	10/100 Mbps Ethernet
Network protocol	TCP/IP, RSTP

Access control parameters

Reading frequency	Not supported
Relay	2

Interfaces

Output	12 V/1 A output
Debugging port	1
Alarm input	2
Grounding	1
Two-wire interface	1
TAMPER switch	1

General

Protection level	IP65
Indicator	3

Power supply	From indoor station
Power consumption	< 10 W
Heater	Support
Working temperature	-40° C to +60° C(-40° F to 140° F)
Working humidity	10% to 95%
Dimension	169 × 110 × 31 mm (6.54" × 4.33" × 1.22")
Installation	Surface mounting, flush mounting
Weight	476 g

Indoor Station

System parameters

Memory	128 MB
Flash	32 MB
Operation system	Embedded Linux operation system

Display parameters

Display screen	7-inch TFT touch screen
Display resolution	1024 × 600
Operation method	Capacitive touch screen
Brightness	Adjustable

Audio parameters

Audio input	Built-in microphone
Audio output	Built-in loudspeaker
Volume	Local adjustable
Audio compression standard	G.711 U, G.711 A
Audio quality	Noise suppression and echo cancellation

Network parameters

Wired network	10/100 Mbps self-adaptive
Wireless network	Wi-Fi 802.11 b/g/n

Interfaces

Two-wire interface	1
Alarm input	8
Debugging port	1 channel reserved
RS485	1

General

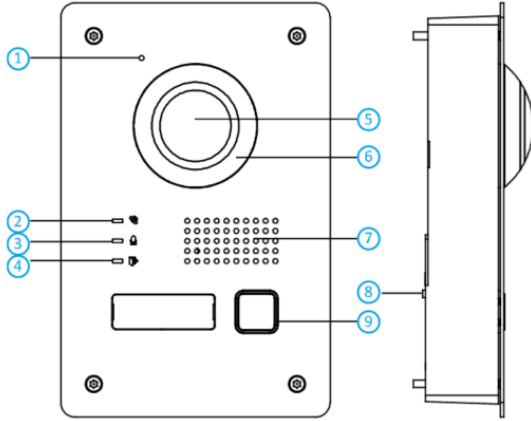
Power supply	24 VDC
Power consumption	≤ 8 W
Working temperature	-10 °C to 55 °C (14 °F to 131 °F)
Working humidity	10% to 90%
Dimension	200 × 140 × 23.6 mm (7.87" × 5.51" × 0.93")
Weight	334.5 g

Available Model

HA-KIT-P2

Appearance and Interfaces

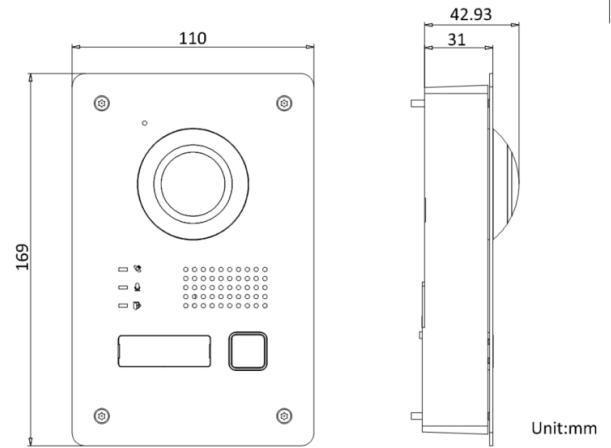
Two-Wire Villa Door Station



No.	Description	No.	Description
1	Microphone	6	Supplement Light
2	Calling Indicator	7	Loudspeaker
3	Speaking Indicator	8	TAMPER
4	Open Door Indicator	9	Call Button
5	Built-in Camera		

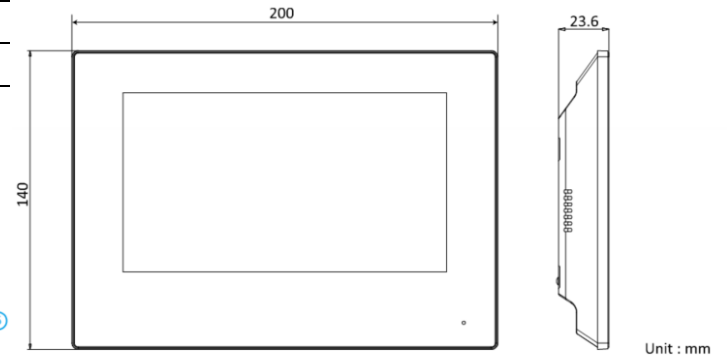
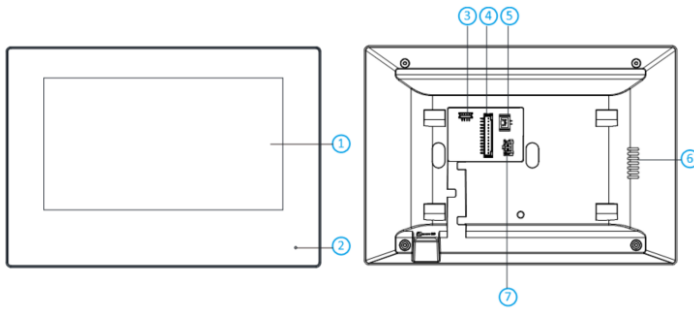
Dimension

Two-Wire Villa Door Station



Unit:mm

Two-Wire Indoor Station



Unit : mm

No.	Description	No.	Description
1	Display Screen	5	Two-Wire Interface
2	Microphone	6	Loudspeaker
3	Debugging Port	7	Power Supply Interface
4	Alarm Terminal		

Note: The debugging port is used for debugging only.

Typical Application

