

DS-3E0518P-E

16-Port Gigabit Unmanaged PoE Switch

DS-3E0518P-E switches are layer 2 Gigabit PoE unmanaged switches, providing 16 Gigabit PoE ports, one 10/100/1000 Mbps RJ45 port, and one 10/100/1000 Mbps SFP fiber optical port. The switches provide advanced PoE technology and connect other devices with high performance. Meanwhile, all Gigabit ports guarantee stable transmission of data.



Feature and Function

- 16 × Gigabit PoE ports, 1 × Gigabit RJ45 port, and 1 × Gigabit SFP fiber optical port.
- IEEE 802.3at/af standard.
- IEEE 802.3, IEEE 802.3u, IEEE 802.3x, IEEE 802.3ab, and IEEE 802.3z standard.
- 6 KV surge protection for PoE ports.
- PoE power management.
- Gigabit network access.
- Wire-speed forwarding and non-blocking design.
- Store-and-forward switching.
- Solid high-strength metal shell.

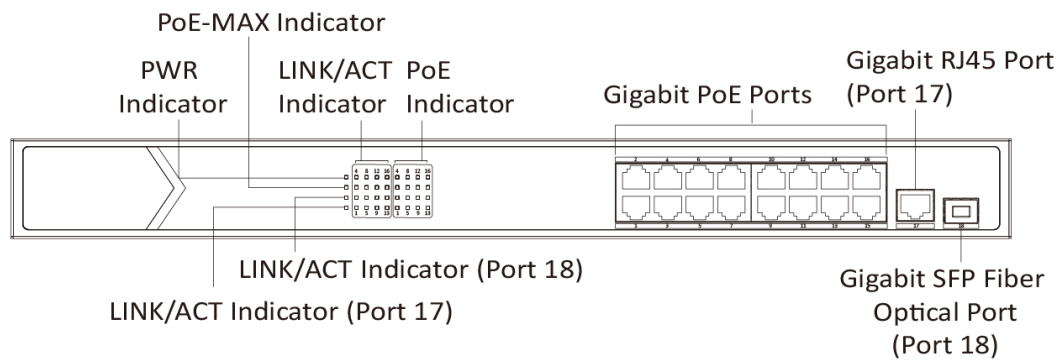


Specification

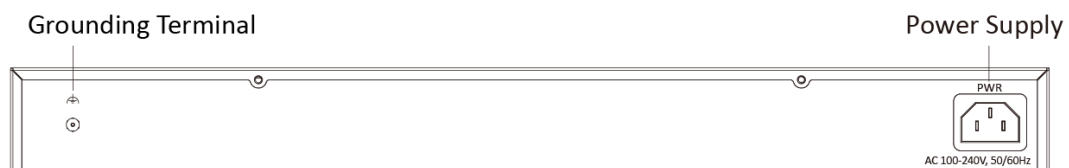
Model		DS-3E0518P-E
Network parameters	Port number	16 × Gigabit PoE ports, 1 × Gigabit RJ45 port, and 1 × Gigabit SFP fiber optical port
	Port type	RJ45 port, full duplex, MDI/MDI-X adaptive
	Standard	IEEE 802.3, IEEE 802.3u, IEEE 802.3x, IEEE 802.3ab, IEEE 802.3z
	Forwarding mode	Store-and-forward switching
	MAC address table	8 K
	Switching capacity	36 Gbps
	Packet forwarding rate	26.784 Mpps
	Internal cache	4.1 Mbits
PoE power supply	PoE standard	IEEE 802.3af, IEEE 802.3at
	PoE power pin	Support 4-core power supply, and Ethernet cable 1/2/3/6 provide power supply.
	PoE port	Ports 1 to 16
	Max. port power	30 W
	PoE power budget	230 W
	Max. power consumption	250 W
General	Shell	Metal material
	Gross weight	3.53 kg (7.78 lb)
	Net weight	2.67 kg (5.89 lb)
	Dimension (L × H × D)	440 mm × 44 mm × 220.8 mm (17.3" × 1.7" × 8.7")
	Operating temperature	-10 °C to 55 °C (14 °F to 131 °F)
	Storage temperature	-40 °C to 85 °C (-40 °F to 185 °F)
	Operating humidity	5% to 95% (no condensation)
	Storage humidity	5% to 95% (no condensation)
	Power supply	100 to 240 VAC, 50/60 Hz, Max. 4 A
	Power consumption in idle	20 W

Physical Interface

Front panel:



Back panel:



Available Model

- DS-3E0518P-E

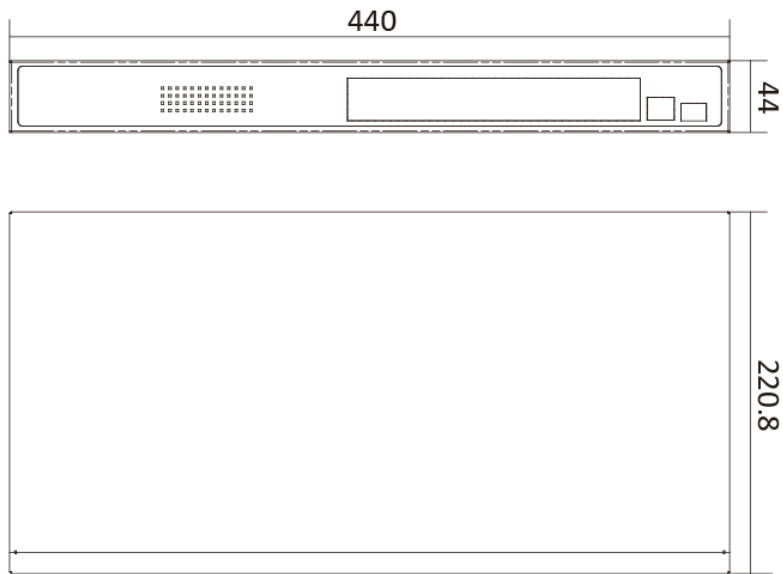
Optional Accessory

SFP Module	Fiber type	Connector	Date Rate	Wavelength	Distance
HK-SFP-1.25G-20-1310	Single fiber, Single-mode	LC	1250 Mbps	Tx1310nm/Rx1550nm	0 to 20 km
HK-SFP-1.25G-20-1550	Single fiber, Single-mode	LC	1250 Mbps	Tx1550nm/Rx1310nm	0 to 20 km
HK-SFP-1.25G-1310-DF-MM	Duplex fiber, Multi-mode	LC	1250 Mbps	Tx1310nm/Rx1310nm	0 to 1 km
HK-SFP-1.25G-20-1310-DF	Duplex fiber, Single-mode	LC	1250 Mbps	Tx1310nm/Rx1310nm	0 to 20 km

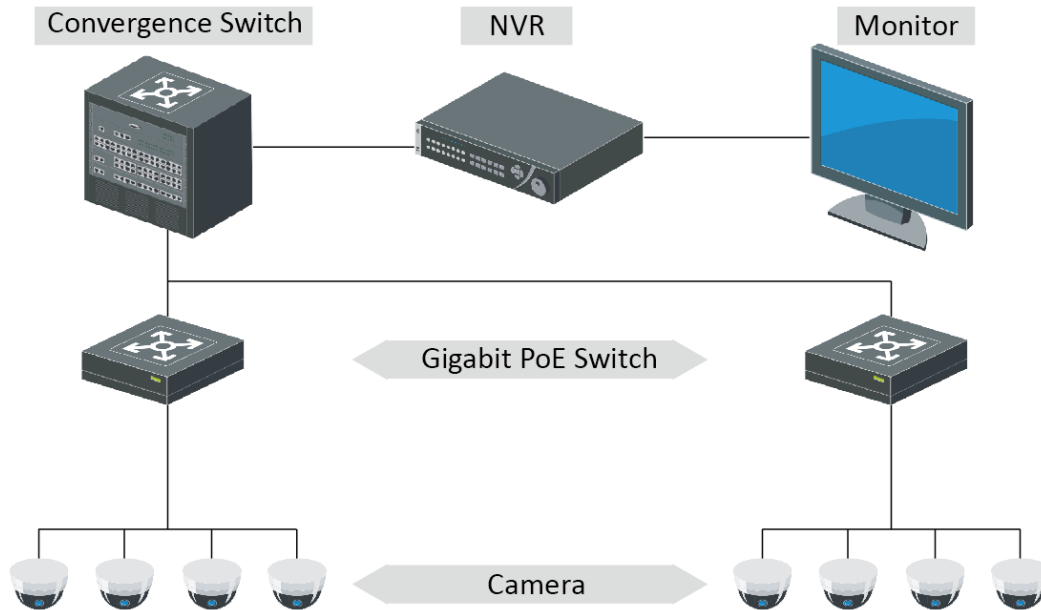
NOTE

HK-SFP-1.25G-20-1310 has to work with HK-SFP-1.25G-20-1550 as a pair.

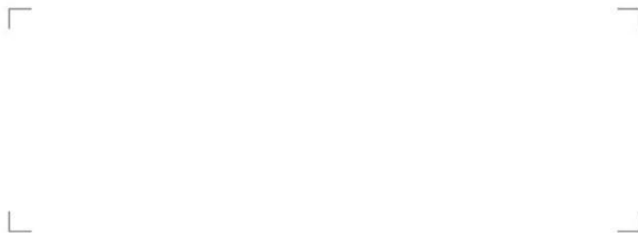
Dimension (unit: mm)



Typical Application



Distributed by



HIKVISION®

Headquarters

No.555 Qianmo Road, Binjiang District,
Hangzhou 310051, China
T +86-571-8807-5998
overseasbusiness@hikvision.com

Hikvision USA
T +1-909-895-0400
sales.usa@hikvision.com

Hikvision Australia
T +61-2-8599-4233
salesau@hikvision.com

Hikvision India
T +91-22-28469900
sales@pramahikvision.com

Hikvision Canada
T +1-866-200-6690
sales.canada@hikvision.com

Hikvision Thailand
T +662-275-9949
sales.thailand@hikvision.com

Hikvision Europe
T +31-23-5542770
sales.eu@hikvision.com

Hikvision Italy
T +39-0438-6902
info.it@hikvision.com

Hikvision Brazil
T +55 11 3318-0050
Latam.support@hikvision.com

Hikvision Turkey
T +90 (216)521 7070- 7074
sales.tr@hikvision.com

Hikvision Malaysia
T +601-7652-2413
sales.my@hikvision.com

Hikvision UK & Ireland
T +01628-902140
sales.uk@hikvision.com

Hikvision South Africa
Tel: +27 (10) 0351172
sale.africa@hikvision.com

Hikvision France
T +33(0)1-85-330-450
info.fr@hikvision.com

Hikvision Kazakhstan
T +7-727-9730667
nikia.panfilov@hikvision.ru

Hikvision Vietnam
T +84-974270888
sales.vt@hikvision.com

Hikvision UAE
T +971-4-4432090
salesme@hikvision.com

Hikvision Singapore
T +65-6684-4718
sg@hikvision.com

Hikvision Spain
T +34-91-737-16-55
info.es@hikvision.com

Hikvision Tashkent
T +99-87-1238-9438
uzb@hikvision.ru

Hikvision Hong Kong
T +852-2151-1761
info.hk@hikvision.com

Hikvision Russia
T +7-495-669-67-99
saleru@hikvision.com

Hikvision Korea
T +82-(0)31-731-8817
sales.korea@hikvision.com

Hikvision Poland
T +48-22-460-01-50
info.pl@hikvision.com

Hikvision Indonesia
T +62-21-2933759
Sales.Indonesia@hikvision.com

Hikvision Colombia
sales.colombia@hikvision.com