

iDS-TCM403-A(I) High Performance ANPR Bullet Camera

DarkFighter

DeepinView



- 1/1.8" progressive scan CMOS
- 50 Hz: 2688 × 1520 @ 25 fps
- 60 Hz: 2688 × 1520 @ 30 fps
- Color: 0.001 Lux @ (F1.2, AGC ON),
0.0005 Lux with IR
- H.265, H.264
- 140 dB WDR
- 3D DNR
- Alarm I/O
- 1 RS-485 interface
- IR range up to 100 m
- Two defined streams
- Built-in microSD/TF card, up to 128 GB
- License plate recognition
- IP67, IK10

Superiority

- Dedicated camera for ANPR
 - HD resolution
 - Integrated IR
 - Professional shutter speed control
- Built-in ANPR engine, equipped with AI algorithm



Application

- Vehicle control
- Traffic monitoring
- Toll collection
- Security

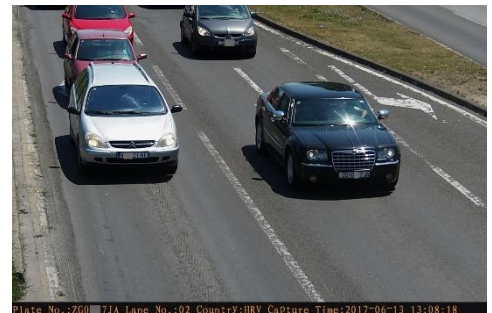


Scenarios

- Tunnel
- Toll station
- Urban road
- Parking entrance

Smart Function

- Support vehicle type classification
- Support vehicle color identification
- Support no-plate vehicle capture
- Support driving direction detection
- Support motorcycle capture



Specification

Camera	iDS-TCM403-A(I)/0411	iDS-TCM403-A(I)/0832
Image Sensor	1/1.8" progressive scan CMOS	
Min. Illumination	Color: 0.001 Lux @ (F1.2, AGC ON), 0.0005 Lux with IR	
Shutter Speed	1/25 s to 1/100,000 s	
Slow Shutter	Supported	
Day & Night	IR cut filter	
Digital Noise Reduction	3D DNR	
WDR	140 dB	
Lens		
Focal Length	4-11 mm	8-32 mm
Aperture	F1.38	F1.63-1.8
Focus	Auto	
Iris Type	Fixed iris	DC drive
FOV	Horizontal FOV: 114.7° to 41.9°; Vertical FOV: 59.4° to 23.6°; Diagonal FOV: 141.5° to 48.1°	Horizontal FOV: 39.7° to 15.9°; Vertical FOV: 22.3° to 9.1°; Diagonal FOV: 45.8° to 18.1°
IR		
IR Range	Up to 50 m	Up to 100 m
Wavelength	850 nm	
Compression Standard		
Video Compression	Main stream: H.265/H.264/MJPEG Sub-stream: H.265/H.264/MJPEG	
H.264 Type	Baseline profile/Main profile/High profile	
H.265 Type	Baseline profile/Main profile/High profile	
Video Bit Rate	32 Kbps to 16 Mbps	
Audio Compression	G.711/G.722.1	
Audio Bit Rate	8Kbps (G.711) /16Kbps (G.722.1)	
Smart Feature		
Recognition	License Plate Recognition	
Smart Function	Vehicle type classification, color identification, no-plate vehicle capture, vehicle driving direction detection	
Road Traffic and Vehicle Detection		

Countries/Regions	<p>Mid-East: Turkey, United Arab Emirates, Qatar, Iran, Iraq, Egypt, Jordan, Kuwait, Saudi Arabia, Tunisia, Palestine, Pakistan</p> <p>Africa: South Africa, Kenya, Nigeria, Tanzania, Mauritius, Morocco</p> <p>Asia-Pacific: Australia, New Zealand, Indonesia, Malaysia, Singapore, South Korea, Thailand, Vietnam, the Philippines, Hong Kong, Macao, Taiwan, Burma, Japan, India, Mongolia</p> <p>America: United States of America, Colombia, Brazil, Ecuador, Peru, Mexico</p> <p>Europe: Croatia, Slovakia, Czech Republic, Bulgaria, Macedonia, Hungary, Greece, Poland, France, Netherlands, Switzerland, Spain, United Kingdom, Ireland, Germany, Italy, Austria, Israel</p> <p>Russian-Speaking Regions: Azerbaijan, Belarus, Kazakhstan, Lithuania, Georgia, Estonia, Latvia, Russian Federation, Ukraine, Moldova, Belarus, Uzbekistan</p>
Accuracy (Under recommended installation and lighting conditions)	<p>Capture rate > 98%</p> <p>Driving direction recognition accuracy > 98.5%</p> <p>LPR accuracy > 98%</p> <p>Mistaken capture rate < 2%</p>
	<p>European and Russian-Speaking Regions:</p> <p>LPR accuracy > 98%</p> <p>Country/Region recognition accuracy > 95%</p>
No License Plate Detection	Yes
Motorcycle LPR	Yes
Vehicle Type	Car/Van/Bus/Truck/Others
Vehicle Color	Red, yellow(including orange), green, blue, purple, brown, white, grey(including silver), black IR Model: Recognizable at daytime only
Vehicle Manufacturer	65 manufacturers: HYUNDAI, TOYOTA, KIA, HONDA, VOLKSWAGEN, BENZ, NISSAN, FORD, ISUZU, BMW, CHEVROLET, MITSUBISHI, RENAULT, OPEL, SUZUKI, SKODA, DAEWOO, AUDI, MAZDA, HINO, PEUGEOT, SSANG YONG, CITROEN, FIAT, SCANIA, MAN, VOLVO, LEXUS, SEAT, LAND ROVER, DAIHATSU, UD TRUCKS, SUBARU, IVECO, MINI, JEEP, PORSCHE, CHERY, DODGE, CHRYSLER, ACURA, ALFA ROMEO, GREAT WALL, INFINITY, SMART, SAIC MAXUS, JAC, JAGUAR, JMC, LINCOLN, JMC, SAAB, FAW, YUTONG, LWE, JOYLONG, GEELY, CADILLAC, JINBEI, ANKAI, HAIMA, FOTON, KING LONG, DONGFENG, EMGRAND
Capture Speed Range	5 to 120km/h
Image	
Max. Resolution	2688 × 1520
Main Stream	50 Hz: 25 fps (2688 × 1520, 1920 × 1080, 1280 × 720, 704 × 576, 352 × 288) 60 Hz: 30 fps (2688 × 1520, 1920 × 1080, 1280 × 720, 704 × 576, 352 × 288)
Sub-Stream	50 Hz: 25 fps (1920 × 1080, 1280 × 720, 704 × 576, 352 × 288) 60 Hz: 30 fps (1920 × 1080, 1280 × 720, 704 × 576, 352 × 288)
Third Stream	50 Hz: 25 fps (1280 × 720, 704 × 576, 352 × 288) 60 Hz: 30 fps (1280 × 720, 704 × 480, 640 × 480)
Image Enhancement	3D DNR
Image Settings	Rotation mode, saturation, brightness, contrast, sharpness, AGC, and white balance are adjustable via client software or web browser.
Video Compression	H.264 and H.265 encoding
Day/Night Switch	Auto/Scheduled/Triggered by alarm in
Picture Overlay	Logo picture can be overlaid on video with 128 × 128 in 24bit bmp format
Network	

Network Storage	microSD/TF card (128 GB), local storage and CVR, NVR, ANR
Alarm Trigger	HDD Error, Network Disconnected, IP Address Conflicted, Vehicle Detector Exception, Traffic Light Detector Exception
Protocols	TCP/IP, HTTP, HTTPS, FTP, DNS, DDNS, RTP, RTSP, RTCP, NTP, UPnP, IPv6, UDP
Security Measures	Password protection, HTTPS encryption, digest authentication for HTTP/HTTPS, digest authentication for ONVIF (Version 2.1)
General Function	One-key reset, three streams, heartbeat, password protection, watermark
API	ONVIF (Version 2.1, PROFILE S, PROFILE G), ISAPI, SDK
Simultaneous Live View	Up to 20 channels
User/Host	Up to 32 users 3 user levels: administrator, operator, and user
Client	iVMS-8600, Hik-Central
Web Browser	IE7+
Interface	
Audio	Supported
Communication Interface	1 RJ45 10M/100M/1000M Ethernet interface 1 RS-485 interface 1 Wiegand interface
Alarm	1 input interface, 1 output interface, 2 relays
Video Output	Network
On-Board Storage	Built-in microSD/TF card, up to 128 GB
Reset Button	Supported
General	
Firmware Version	V4.2.2
Operating System	Linux
Certifications	CE, FCC, RoHS
Operating Conditions	Temperature: -30 °C to +70 °C (-22 °F to +158 °F) , Humidity: 95% or less (non-condensing)
Power Supply	12 VDC to 24 VDC ± 20%, PoE (802.3at, class 4)
Protection Level	IP67, IK10
Material	Aluminum alloy
Dimensions	With package: 428.5 × 120 × 132.8 mm
Weight	Camera: approx. 3.12 ± 0.5 kg (6.88 ± 1.1 lb)
Power Consumption	Max. 12 W

* Listed resolutions are only selectable options. It does not mean that all streams can work at their maximum resolution at the same time.

Available Model

iDS-TCM403-AI/0832

iDS-TCM403-AI/0411

Application Scenario



Urban Road



Mixed Road



Entrance & Exit



Highway Toll Station

Application Performance

- Urban road, mixed road, etc.



Day



Night



Day



Night

- Entrance & exit, highway toll station, etc.

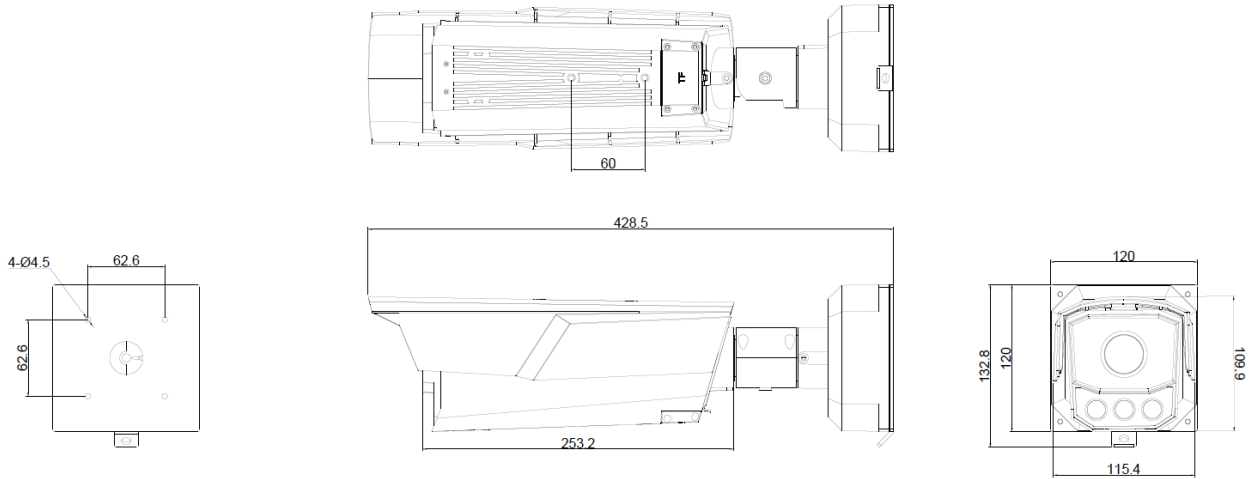


Day



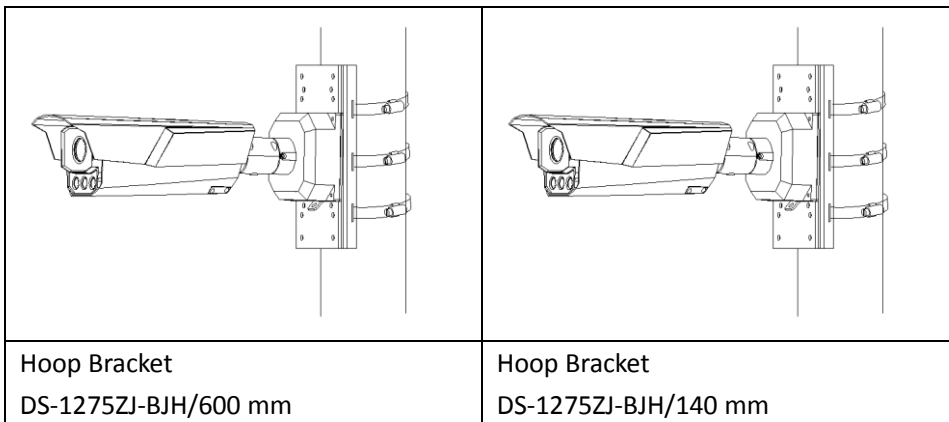
Night

Dimension



Unit: mm

Accessory



Headquarters

No.555 Qianmo Road, Binjiang District,
Hangzhou 310051, China
T +86-571-8807-5998
www.hikvision.com



Follow us on social media to get the latest product and solution information.



Hikvision



HikvisionHQ



HikvisionHQ



Hikvision_Global



Hikvision
Corporate Channel



hikvisionhq