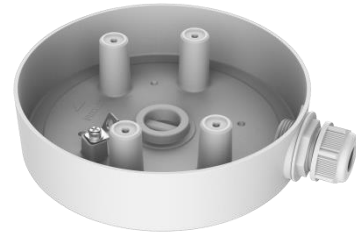


## DS-1280ZJ-SD11

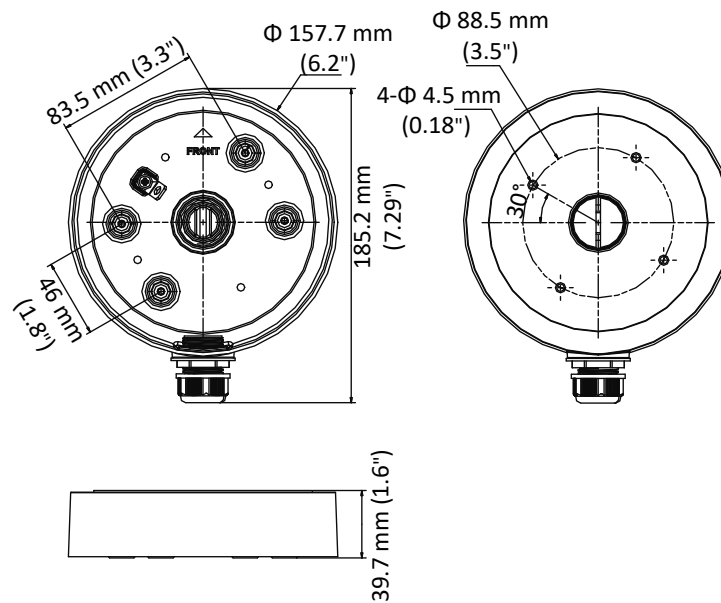
Junction Box for 4-inch PTZ Camera



### Feature

- Aluminum alloy material with surface spray treatment
- Side outlet and bottom outlet
- Waterproof design

### Dimension



### Available Model

DS-1280ZJ-SD11

### Parameter

Model	DS-1280ZJ-SD11
Parameters	Junction Box for 4-inch PTZ Camera
Appearance	Hikvision White
Material	Aluminum Alloy
Dimension	$\Phi 157.7$ mm $\times$ 39.7 mm (6.2" $\times$ 1.6")
Weight	450 g (0.99 lb.)

### Note

- The junction box should be installed on the flat surface.
- The waterproof rubber is necessary for the outdoor application.
- The wall must be capable of supporting at least 3 times as much as the total weight of the camera and the bracket.
- The maximum load capacity of the junction box is 5 Kg (11 lb.).