

## DS-1280ZJ-XS(Black)

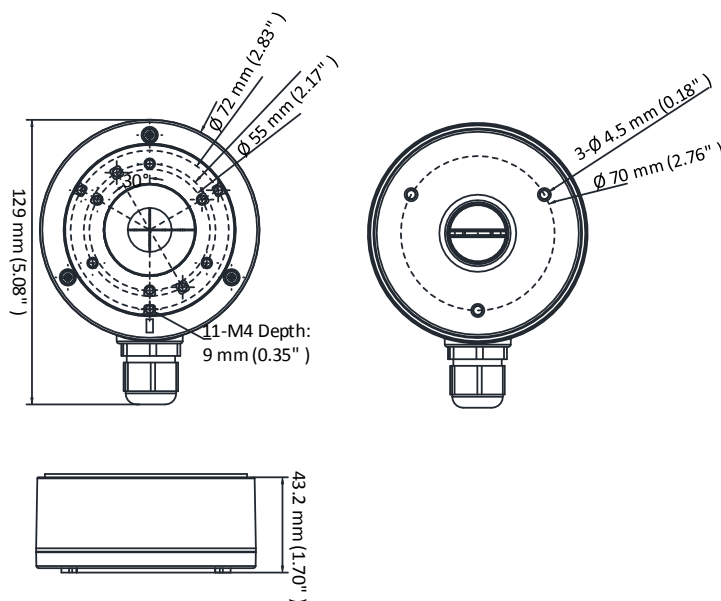
### Junction Box



#### Features

- Aluminum alloy with surface spray treatment
- Side outlet, and bottom outlet
- Interchangeable bottom waterproof cover, and side gland nut
- Applies to both indoor conditions, and outdoor conditions

#### Dimension



#### Available Model

DS-1280ZJ-XS(Black)

#### Parameter

Model	DS-1280ZJ-XS(Black)
Parameters	Junction Box
Appearance	Black
Material	Aluminum Alloy
Dimension	Ø 100 mm × 129 mm × 43.2 mm (Ø 3.94" × 5.08" × 1.70")
Weight	621 g (1.37 lb.)

#### Notes

- The junction box should be installed on the flat surface.
- Waterproof rubber is necessary for the outdoor application.
- The wall must be capable of supporting at least 3 times as much as the total weight of the camera, and the mount.
- The maximum load capacity of the junction box is 4.5 kg (9.9 lb.).