

## DS-1602ZJ

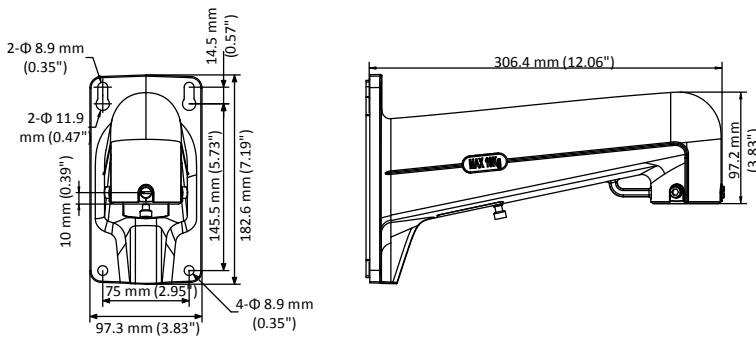
Wall Mount Bracket Indoor/Outdoor



### Features:

- Aluminum alloy material with surface spray treatment
- General design for indoor/outdoor
- Better water proof design
- With safety rope, the assembling is safer and more convenient

### Dimension:



### Order model:

DS-1602ZJ

### Parameters:

Model	DS-1602ZJ
Parameter	Wall Mount Bracket In/Outdoor
Color	Hik white
Feature	Suitable for speed dome pendent mounting
Material	Aluminum alloy
Dimension	97.3 mm × 182.6 mm × 306.4 mm (3.83" × 7.19" × 12.06")
Weight	925 g (2.04 lb.)

### Notice:

- The bracket should be installed on the flat surface of a wall
- The wall must be capable of supporting more than 3 times the total capacity of the camera and the bracket.

**Note:** The actual bracket may vary from the picture above.