

DH-IPC-HDPW5442G-ZE

4MP IR Vari-focal Dome WizMind Network Camera



- 1/1.8" 4Megapixel progressive scan CMOS
- ROI, SMART H.264+/H.265+, flexible coding, applicable to various bandwidth and storage environments
- 25/30 fps@2688 × 1520, 50/60 fps@1080P (1920 × 1080)
- WDR (140 dB), Day/Night (ICR), 3D DNR, AWB, AGC, BLC
- Multiple network monitoring: Web viewer, CMS (DSS/PSS) & DMSS
- 2.7 mm–12.0 mm motorized lens
- 1/1 Alarm in/out, 1/1 audio in/out
- Max. IR LEDs Length 40 m
- Micro SD memory



Launched by Dahua Technology, Dahua WizMind is a full portfolio of solutions composed of project-oriented products including IPC, NVR, PTZ, XVR, Thermal and software platform which adopts industry-leading deep learning algorithms. Focusing on customer's requirements, WizMind provides precise, reliable and comprehensive AI solutions for verticals.

Series Overview

With starlight solution and deep learning algorithm, Dahua WizMind 5 Series network camera has various intelligent functions, including face capture, perimeter protection and people counting, which greatly improve the accuracy of video analysis. The series camera supports dust-proof function, waterproof function and vandal-proof function, complying with the standards of IP67 and IK10 (Supported by some select models).

Functions

Face Detection

Dahua Face Detection technology can detect the face in the image. With deep learning algorithm, the technology supports detecting, tracking, capturing and selecting the best face image, and then outputs face snapshot.

Face Attributes

With deep learning algorithm, the network camera can recognize face attributes, such as gender, age, expression, glasses, mouth mask, and beard.

Perimeter Protection

With deep learning algorithm, Dahua Perimeter Protection technology can recognize human and vehicle accurately. In restricted area (such as pedestrian area and vehicle area), the false alarms of intelligent detection based on target type (such as tripwire, intrusion, fast moving, parking detection, loitering detection and gathering detection) are largely reduced.

People Counting

With deep learning algorithm, Dahua People Counting technology can track and process moving human body targets to realize the accurate statistics of enter No., leave No., and In Area No. Working with management platform, it outputs reports to meet your requirements.

ePoE

Dahua ePoE technology provides a new way to accomplish long distance transmission between IP camera and network switch. It allows more flexible surveillance system design, improves reliability and saves construction and wiring cost.

Technical Specification						
Camera						
Image Sensor	1/1.8" 4Megapixel progressive scan CMOS					
Max. Resolution	2688 (H) × 1520 (V)					
RAM/ROM	1 GB/128 MB					
Scanning System	Progressive					
Electronic Shutter Speed	Auto/Manual, 1/3 s–1/100000 s					
S/N Ratio	Yes					
Minimum Illumination	0.003 Lux@F1.8					
Illumination Distance	Distance up to 40 m (131 ft)					
Illuminator On/Off Control	Auto/Manual					
Illuminator Number	3 (IR LED)					
Pan/Tilt/Rotation Range	Pan: 0°–355°; Tilt: 0°–75°; Rotation: 0°–355°					
Lens						
Lens Type	Motorized vari-focal					
Mount Type	Board-in					
Focal Length	2.7 mm–12.0 mm					
Max. Aperture	F1.8					
Angle of View	H: 114°–47°, V: 62°–26°					
Aperture Type	Auto					
Close Focus Distance	1.2 m (3.94 ft)					
DORI Distance	Lens	Detect	Observe	Recognize	Identify	
	W	58 m (190 ft)	23 m (75 ft)	12 m (39 ft)	6 m (20 ft)	
	T	131 m (430 ft)	52 m (171 ft)	26 m (85 ft)	13 m (43 ft)	
Artificial Intelligence						
Face Detection	Face detection; track; optimization; snapshot; report high quality picture; face enhancement; face exposure; face attribute extract, 6 attributes and 8 expressions: Gender, age, glasses, expressions (anger, calm, happiness, sadness, disgust, surprise, confusion and fear), mask, beard; face matting setting: face, single inch photo; three snapshot methods: real-time snapshot, optimization snapshot, quality priority; face angle filter; optimization time setting					
Perimeter Protection	Tripwire; intrusion; fast moving (the three functions support the classification and accurate detection of vehicle and human); loitering detection; people gathering; parking detection					
People Counting	Support the counting of enter number, leave number and pass number, and displaying and outputting yearly/monthly/daily reports. Support the counting of number in area, and 4 rules configuration. Count number of people or stay time and link alarm. Support queue management, and 4 rules configuration. Count number of people or stay time and link alarm.					
General Intelligence						
Event Trigger	Motion detection, Video tampering, Scene changing, Network disconnection, IP address conflict, Illegal Access, Storage anomaly					
General Intelligence	Object Abandoned/Missing					
Heat Map	Yes					
Video						
Compression	H.265, H.264, H.264B, H.264H, MJPEG (only supported by sub stream)					
Smart Codec	Smart H.265+ / Smart H.264+					
Streaming Capability	3 Streams					
Resolution	2688 × 1520/2560 × 1440/2304 × 1296/1080P (1920 × 1080)/1.3M (1280 × 960)/720P (1280 × 720)/D1 (704 × 576/704 × 480)/VGA (640 × 480)/CIF (352 × 288/352 × 240)					
Frame Rate	Main stream: 2688 × 1520 (1 fps–25/30 fps) / 1920 × 1080 (1 fps–50/60 fps)					
	Sub Stream: D1 (1 fps–25/30 fps) D1 (1 fps–50/60 fps)					
	Third Stream: 1080P (1 fps–16 fps)					
Bit Rate Control	CBR/VBR					
Bit Rate	H.264: 32 Kbps–8192 Kbps H.265: 19 Kbps–8192 Kbps					
Day/Night	Auto(ICR)/Color/B/W					
BLC Mode	BLC/HLC/WDR (140 dB)					
White Balance	Auto/Natural/Street Lamp/Outdoor/Manual					
Gain Control	Auto/Manual					
Noise Reduction	3D DNR					
Motion Detection	Off/On (4 Zone, Rectangle)					
Region of Interest	Off/On (4 Zone)					
Electronic Image Stabilization (EIS)	Yes					
Smart Illumination	Yes					
Defog	Yes					
Flip	0°/90°/180°/270°					
Mirror	Off/On					
Privacy Masking	8 areas					
Audio						
Audio Compression	PCM, G.711a, G.711Mu, G.726, G.723					
Alarm						
Alarm Event	No SD card; SD card full; SD card error; network disconnection; IP conflict; illegal access; motion detection; video tampering; Defocus Detection; scene changing; intrusion; tripwire; abandoned object; missing object; fast moving; parking detection; loitering detection; people gathering; audio detection; people counting; face detection; voltage detection; People counting in area; Stay alarm; People No. exception detection; Queue Management					
Network						
Network	RJ-45 (10/100 Base-T)					
SDK and API	Yes					

Protocol	IPv4; IPv6; HTTP; HTTPS; TCP; UDP; ARP; RTP; RTSP; RTCP; RTMP; SMTP; FTP; SFTP; DHCP; DNS; DDNS; QoS; UPnP; NTP; Multicast; ICMP; IGMP; NFS; PPPoE; 802.1x; SNMP
Interoperability	ONVIF (Profile S/Profile G/Profile T), CGI, Milestone, Genetec, P2P
User/Host	20 Users
Storage	FTP; SFTP; Micro SD card (support max. 256 G); NAS
Browser	IIE: IE 8 and later Chrome Firefox
Management Software	Smart PSS, DSS, DMSS
Mobile Phone	iOS, Android

Certifications	
Certifications	CE-LVD: EN60950-1 CE-EMC: Electromagnetic Compatibility Directive 2014/30/EU FCC: 47 CFR FCC Part 15, Subpart B

Interface	
Audio Interface	1/1 channel In/Out
Alarm	1 channel In: 5 mA 5 VDC 1 channel Out: 300 mA 12 VDC

Power	
Power Supply	DC 12V (±30%), PoE (802.3af)
Power Consumption	Basic: 2.7 W (12 VDC); 3.1 W (PoE) Max. (H.265 + three streams + intelligence on + IR on): 9.9 W (12 VDC); 11 W (PoE)

Environmental	
Operating Conditions	-30° C to +60° C (-22° F to +140° F)/Less than 95% RH
Storage Conditions	-40° C to +60° C (-40° F to +140° F)

Construction	
Casing	plastic
Dimensions	Ø180.5 mm × 131.4 mm (7.11" × 5.17")
Net Weight	0.51 kg (1.12 lb)
Gross Weight	0.73 kg (1.61 lb)

Ordering Information		
Type	Part Number	Description
4MP camera	DH-IPC-HDPW5442GP-ZE	4MP IR Vari-focal Dome WizMind Network Camera, PAL
	DH-IPC-HDPW5442GN-ZE	4MP IR Vari-focal Dome WizMind Network Camera, NTSC
	IPC-HDPW5442GP-ZE	4MP IR Vari-focal Dome WizMind Network Camera, PAL
	IPC-HDPW5442GN-ZE	4MP IR Vari-focal Dome WizMind Network Camera, NTSC
Accessories (Optional)	PFA701	Junction Box
	TF-P100	MicroSD Memory Card

Accessories

Optional:

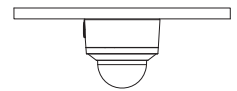
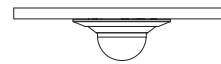


PFA701 Junction Box



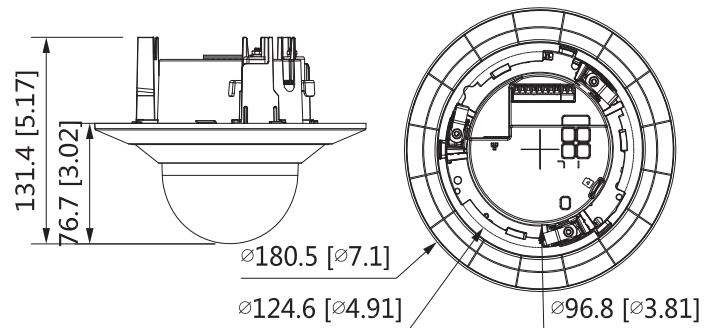
TF-P100 MicroSD Memory Card

In-ceiling Mount Ceiling Mount



PFA701

Dimensions (mm[inch])



Rev 002.000 © 2022 Dahua. All rights reserved. Design and specifications are subject to change without notice. The images, specifications and information mentioned in the document are only for reference, and might differ from the actual product.