

# DH-IPC-HFW4230M-4G-AS-I2

## 2MP 4G IR Bullet Network Camera



- 1/2.9" 2Megapixel progressive CMOS
- H.265&H.264 dual-stream encoding
- 25/30fps@2M(1920×1080)
- Day/Night(ICR), 3DNR, AWB, AGC, BLC
- Multiple network monitoring: Web viewer, CMS(DSS/PSS) &DMSS
- Micro SD card slot, up to 256GB
- 3.6mm,6mm fixed lens
- Max. IR LEDs Length 40m
- 4G supported
- IP67



### System Overview

The 4G supported IR bullet camera delivers 2MP resolution with a 3.6mm or 6mm fixed lens. The camera can be connected to mobile internet as long as you have a SIM card, provides an excellent choice for a variety of small to mid-size applications such as off-grid system, farms, forest, border, etc.

### Functions

#### 4G

The camera can be connected to Mobile Internet as long as you have a SIM card, then you can place it anywhere and no need to worry about the wiring hassles.

#### Intelligent Video analysis (IVS)

Dahua camera is equipped with a built-in intelligent analytic algorithm based on video, which can realize intelligent functions like Tripwire and Intrusion, to quickly and accurately respond to monitoring events in specific area. It can enhance monitoring efficiency. In addition, the camera supports intelligent tamper detection, which is to generate warning message via detecting dramatic scene change and to guarantee effective video surveillance.

#### Smart IR Technology

With IR illumination, detailed images can be captured in low light or total darkness. The camera's Smart IR technology adjusts the intensity of camera's infrared LEDs to compensate the distance of an object. Smart IR technology prevents IR LEDs from whitening out images as they come closer to the camera. The camera's integrated infrared illumination provides high performance in extreme low-light environments up to 40m (131.2ft).

#### Protection (IP67, wide voltage)

The camera allows for  $\pm 25\%$  input voltage tolerance, suitable for the most unstable conditions for outdoor applications. Its 2KV lightning rating provides effective protection for both the camera and its structure against lightning. Subjected and certified to rigorous dust and immersion tests (IP67), the camera is the choice for installation in even the most unforgiving environments.

#### Environmental

Dahua cameras operate in extreme temperature environments, rated for use in temperatures from -30° C to +60° C (-22° F to +140° F) with 95% humidity.

#### Smart Codec (H.265+ & H.264+)

Smart Codec is the optimized implementation of standard video compression (H.265 & H.264) that uses a scene-adaptive encoding strategy, dynamic GOP, dynamic ROI, flexible multi-frame reference structure and intelligent noise reduction to deliver high-quality video without straining the network. Smart Codec technology reduces bit rate and storage requirements by up to 70% when compared to the standard video compression.

Technical Specification				
Model	DH-IPC-HFW4230M-4G-AS-I2			
<b>Camera</b>				
Image Sensor	1/2.9" 2Megapixel progressive scan CMOS			
Effective Pixels )	1920(H) x 1080(V)			
RAM/ROM	256MB/32MB			
Scanning System	Progressive			
Minimum Illumination	0.04Lux/F2.0( Color,1/3s,30IRE) 0.22Lux/F2.0( Color,1/30s,30IRE) 0Lux/F2.0(IR on)			
S/N Ratio	More than 56dB			
IR Distance	Distance up tp 40m (131.2ft)			
IR On/Off Control	Auto/ Manual			
IR LEDs	2			
<b>Lens</b>				
Lens Type	Fixed			
Mount Type	M12			
Focal Length	3.6mm (6mm optional)			
Max. Aperture	F2.0			
Angle of View	H: 82.5° (51.5°), V: 44° (29.5°)			
Optical Zoom	N/A			
Focus Control	Fixed			
Close Focus Distance	0.9m(2m) 29.5ft(6.56ft)			
DORI Distance	Lens	Detect	Observe	Recognize
	3.6mm	53m(174ft)	21m(69ft)	10m(33ft)
	6mm	80m(262ft)	32m(105ft)	16m(52ft)
<b>Pan/Tilt/Rotation</b>				
Pan/Tilt/Rotation Range	N/A			
<b>Intelligence</b>				
Event Trigger	Motion detection, Video tampering , Scene changing, Network disconnection , IP address conflict, Illegal Access,Storage anomaly			
IVS	Tripwire, Intrusion			
<b>Video</b>				
Compression	H.265/H.264H/MJPEG(Sub Stream)			
Smart Codec	Support H.265/H.264			
Streaming Capability	2 Streams			
Resolution	Motion detection, Video tampering , Scene changing, Network disconnection , IP address conflict, Illegal Access,Storage anomaly			

Frame Rate	Main Stream: 1080P@25fps
	Sub Stream: D1@25fps
Bit Rate Control	CBR/VBR
Bit Rate	H.264: 32~10240Kbps H.265: 12~6400Kbps
Day/Night	Auto ICR
BLC Mode	BLC / HLC / DWDR
White Balance	Auto/Natural/Street Lamp/Outdoor/Manual
Gain Control	Auto
Noise Reduction	3D DNR
Motion Detection	Off / On (4 Zone, Rectangle)
Region of Interest	Off / On (4 Zone)
Electronic Image Stabilization (EIS)	N/A
Smart IR	Support
Defog	N/A
Digital Zoom	N/A
Flip	0°/90°/180°/270°
Mirror	Off / On
Privacy Masking	Off / On (4 Area, Rectangle)
<b>Audio</b>	
Compression	G.711a/ G.711Mu/ AAC/ G.726
<b>Network</b>	
Ethernet	RJ-45 (10/100Base-T)
Mobile Communication	4G
Operating band	Model 1: TDD-LTE:Band38/39/40/41 FDD-LTE:Band1/3/5/8 WCDMA:Band1/8 TD-SCDMA:Band34/39 EVDO/CDMA1X:BC0 GSM:Band3/8 Model 2: FDD-LTE:Band1/2/3/4/5/7/8/20 UMTS:Band1/2/5/8 GSM:850/900/1800/1900
Protocol	HTTP;HTTPS;TCP;ARP;RTSP;RTP;RTCP;UDP;SMTP; FTP;DHCP;DNS;DDNS;PPPoE;IPV4/IPv6;QoS;UPnP; NTP;Bonjour;IEEE 802.1X;Multicast;ICMP;IGMP;TLS
Interoperability	ONVIF Profile S&G, API
Streaming Method	Unicast / Multicast
Max. User Access	10 Users /20 Users
Edge Storage	NAS Local PC for instant recording Mirco SD card 256GB
Web Viewer	IE, Chrome, Firefox, Safari
Management Software	Smart PSS, DSS, DMSS
Smart Phone	IOS, Android

**Certifications**

Certifications	CE-LVD: EN60950-1 CE-EMC: Electromagnetic Compatibility Directive 2014/30/EU FCC: 47 CFR FCC Part 15, Subpart B
----------------	-----------------------------------------------------------------------------------------------------------------------

**Interface**

Audio Interface	1/1 channel In/Out
Alarm	2 channel In: 500mA 5VDC 2 channel Out: 300mA 12VDC

**Electrical**

Power Supply	DC12V±30%
Power Consumption	3.6W, 9.5W(IR on); 6W(4G on, IR off)

**Environmental**

Operating Conditions	-30° C ~ +60° C (-22° F ~ +140° F) / Less than 95% RH
Storage Conditions	-30° C ~ +60° C (-22° F ~ +140° F) / Less than 95% RH
Ingress Protection	IP67
Vandal Resistance	N/A

**Construction**

Casing	Metal+Plastic
Dimensions	194.4mm×96.6mm×89.5mm (7.65"×3.8"×3.52")
Net Weight	0.7kg (1.54lb)
Gross Weight	0.8kg (1.76lb)

**Electrical**

Power Supply	DC12V±30%
Power Consumption	3.6W, 9.5W(IR on); 6W(4G on, IR off)

**Environmental**

Operating Conditions	-30° C ~ +60° C (-22° F ~ +140° F) / Less than 95% RH
Storage Conditions	-30° C ~ +60° C (-22° F ~ +140° F) / Less than 95% RH
Ingress Protection	IP67
Vandal Resistance	N/A

**Construction**

Casing	Metal+Plastic
Dimensions	194.4mm×96.6mm×89.5mm (7.65"×3.8"×3.52")
Net Weight	0.7kg (1.54lb)
Gross Weight	0.8kg (1.76lb)

**Ordering Information**

Type	Part Number	Description
2MP camera	DH-IPCHFW4320MP-4G-AS-I2-0360B	2MP 4G IR Bullet Network Camera, PAL
	DH-IPCHFW4320MN-4G-AS-I2-0360B	2MP 4G IR Bullet Network Camera, NTSC
	IPC-HFW4320MP-4G-AS-I2-0360B	2MP 4G IR Bullet Network Camera, PAL
	IPC-HFW4320MN-4G-AS-I2-0360B	2MP 4G IR Bullet Network Camera, NTSC
	DH-IPCHFW4320MP-4G-AS-I2-0600B	2MP 4G IR Bullet Network Camera, PAL
	DH-IPCHFW4320MN-4G-AS-I2-0600B	2MP 4G IR Bullet Network Camera, NTSC
	IPC-HFW4320MP-4G-AS-I2-0600B	2MP 4G IR Bullet Network Camera, PAL
	IPC-HFW4320MN-4G-AS-I2-0600B	2MP 4G IR Bullet Network Camera, NTSC
Accessories (optional)	PFB121W	Wall mount bracket
	PFB110W	Ceiling mount bracket

**Accessories**

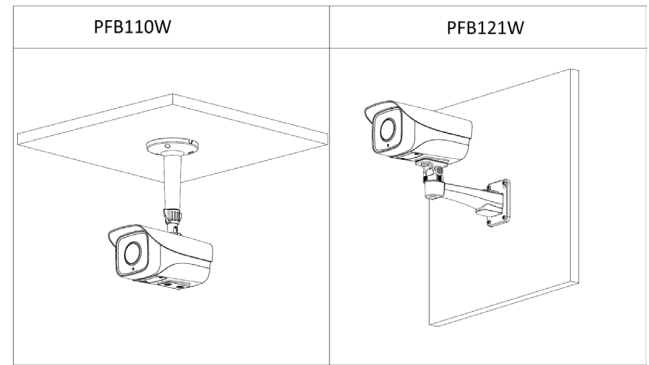
Optional:



PFB110W  
Ceiling mount



PFB121W  
Wall mount



**Dimensions (mm/inch)**

