

# DH-PFA133-E

Junction Box



## Features

- Aluminum alloy material, cost-effective
- Dedicated for particular cameras, beautiful and well designed
- Cable junction inside box
- Support bottom and side outlet

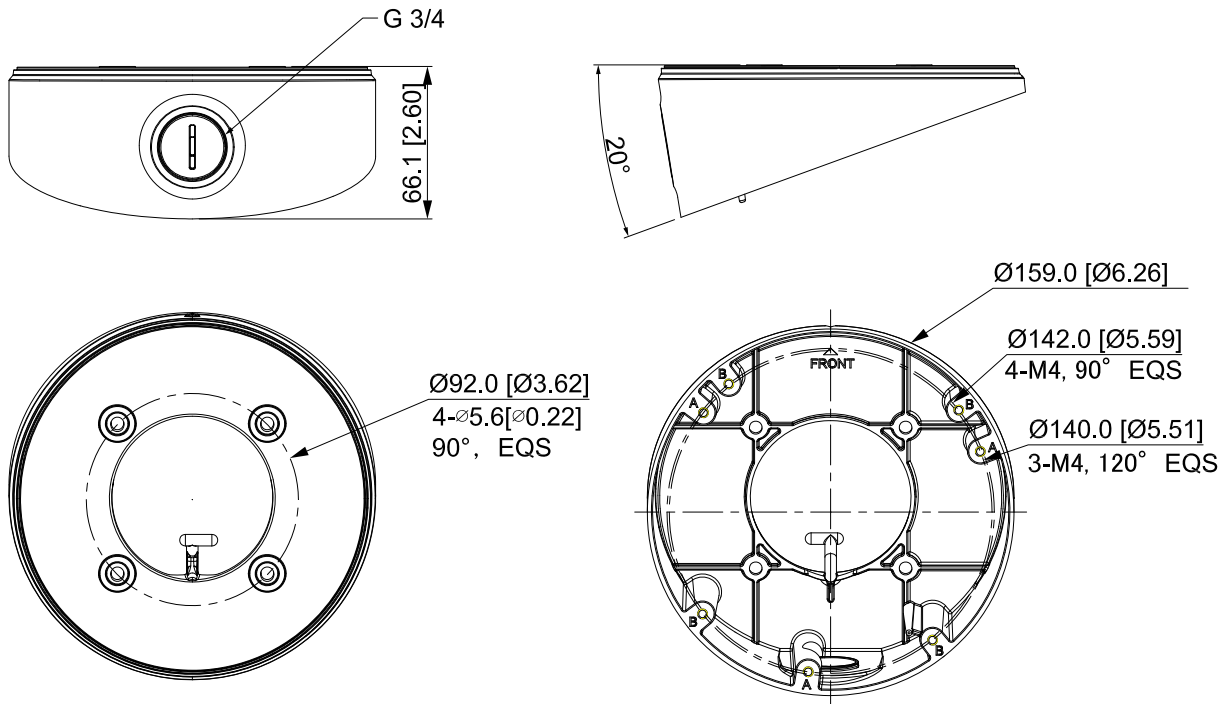
**Technical Specification**

Model	DH-PFA133-E
Standard	Q/DXJ 064-2018
Material	Aluminum alloy
Dimensions	Φ159.0 mm × 66.1 mm (Φ6.26" × 2.60")
Pipe Thread	G3/4"
Weight	0.36 kg (0.81 lb)
Load Bearing	3.0 kg (6.61 lb)
Operating Temperature	-40°C to 60°C (-40°F to 140°F)
Operating Humidity	<90% (RH)
Inclined Angle	20°
Color	White
Applicable Model	Please see "Accessory Selection"

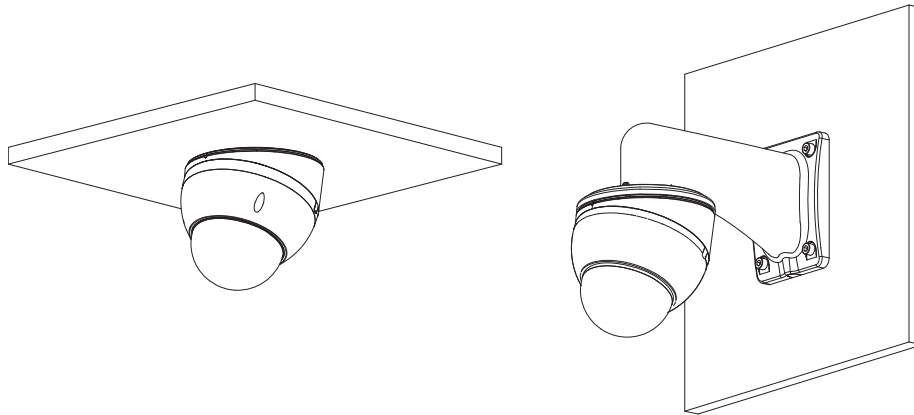
**Ordering Information**

Type	Part Number	Description
Camera mount	DH-PFA133-E	Junction box

**Dimensions (mm/inch)**



## Application



## Package Information

- Junction box \*1
- M4×25 screws \*4
- ST4×25 screws \*4
- Plastic expansion bolt \*4
- S3.0 wrench \*1