

# DH-PFB200C

## In-ceiling Mount Bracket



### Features

- Aesthetic design
- In-ceiling mount bracket
- Material: SECC & PC

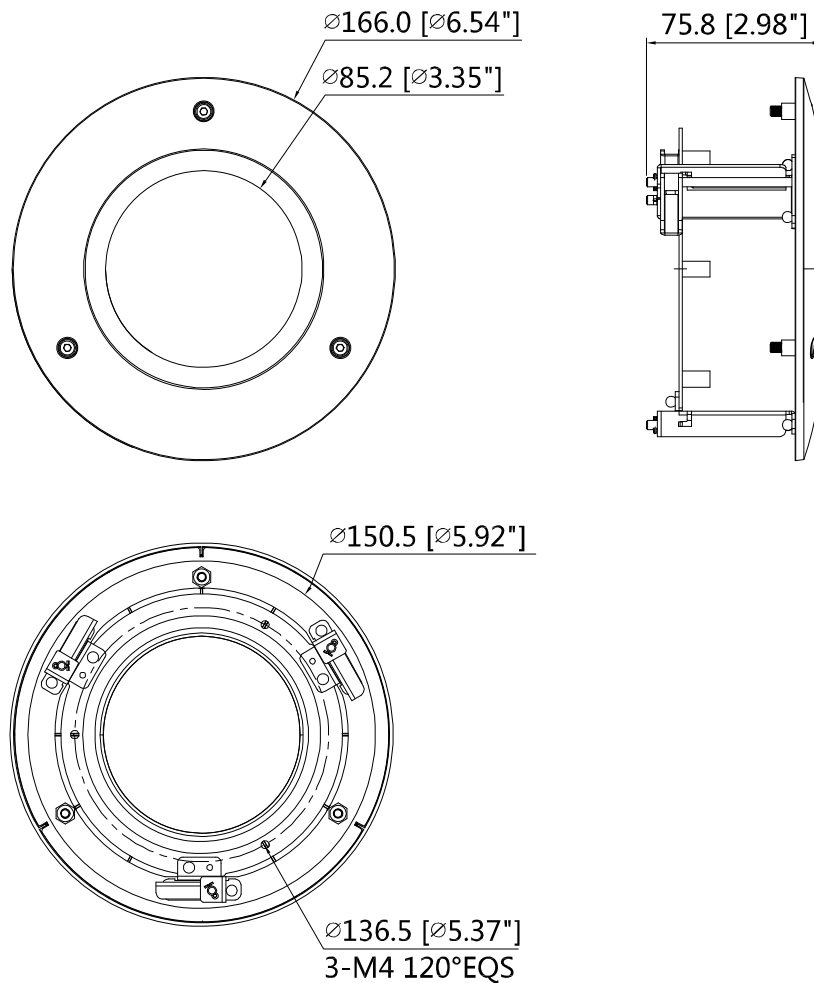
### Technical Specifications

<b>Model</b>	<b>DH-PFB200C</b>
<b>General</b>	
Material	SECC & PC
Dimension	Φ166mmx75.8mm (Φ6.54"x2.98")
Inch Thread	G3/4"
Operating Temperature	-40°C~+60°C (-40°F ~+140°F)
Humidity	0~90% RH
Load Bearing	1kg (2.2lb)
Weight	0.32kg (0.71lb)
Color	White
Applicable Model	Please see "Accessory Selection"

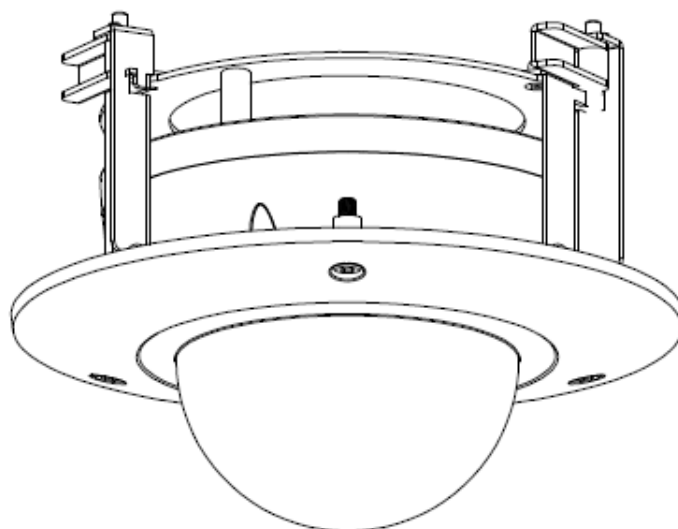
### Order Information

Type	Part Number	Description
Camera Mount Series	DH-PFB200C	In-ceiling mount bracket
	PFB200C	In-ceiling mount bracket

### Dimensions (mm/inch)



## Application



## Package Information

- In-ceiling mount bracket \*1
- M4 screw \*3
- Wrench \*1