

DH-PFB605W

Wall Mount Bracket



Features

- Material: Aluminum;
- Wall mount bracket;
- Aesthetic design.

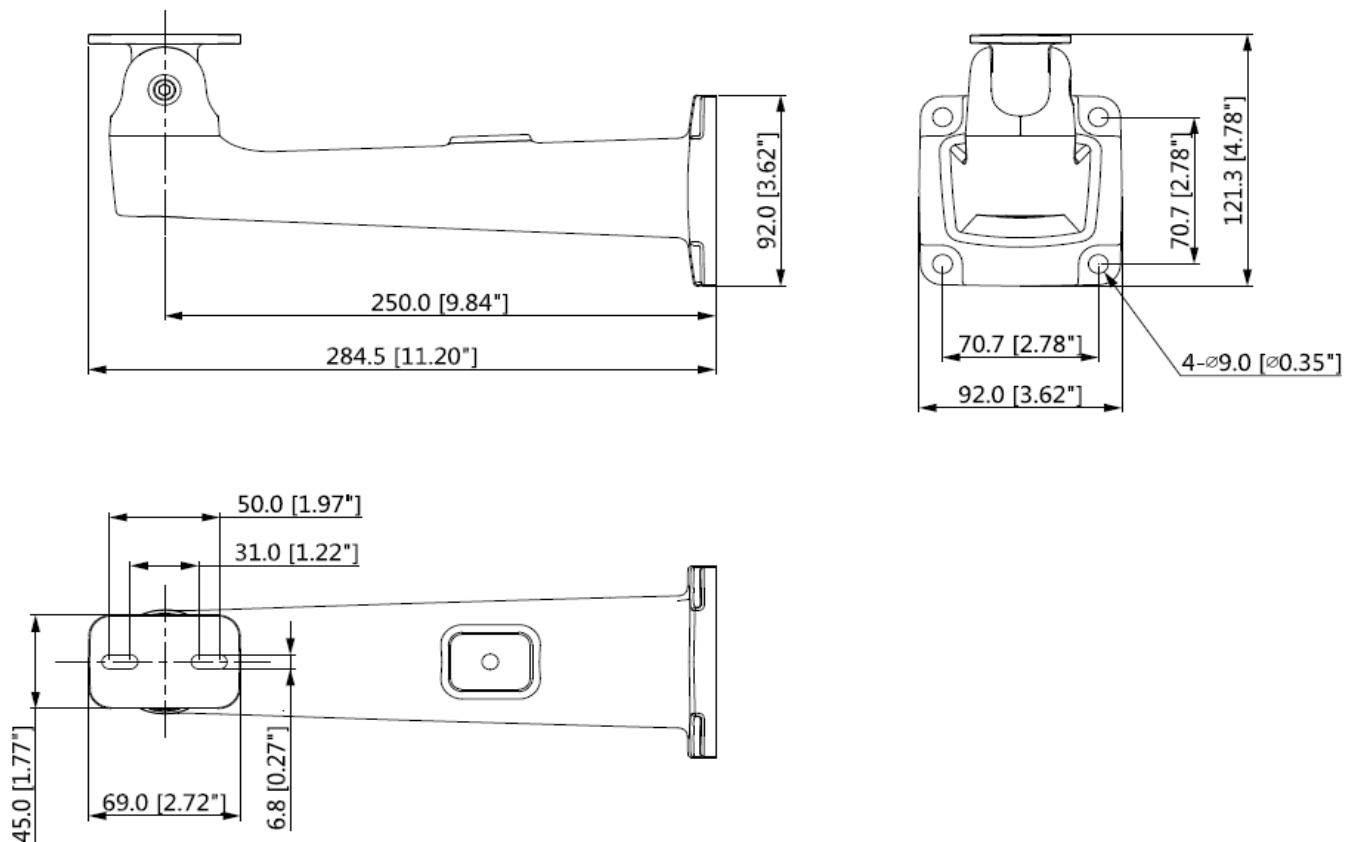
Technical Specification

Model	DH-PFB605W
General	
Material	Aluminum
Dimension (W x H x D)	92.0mmx121.3mmx284.5mm (10.39"x3.94"x5.75")
Weight	0.65kg(1.23lb)
Load Bearing	5kg(8.82lb)
Installation	Wall mount
Color	White
Operating Temperature	-40°C ~60°C (-40°F ~+140°F)
Humidity	0~90% RH
Applicable Model	Replace PFB602W

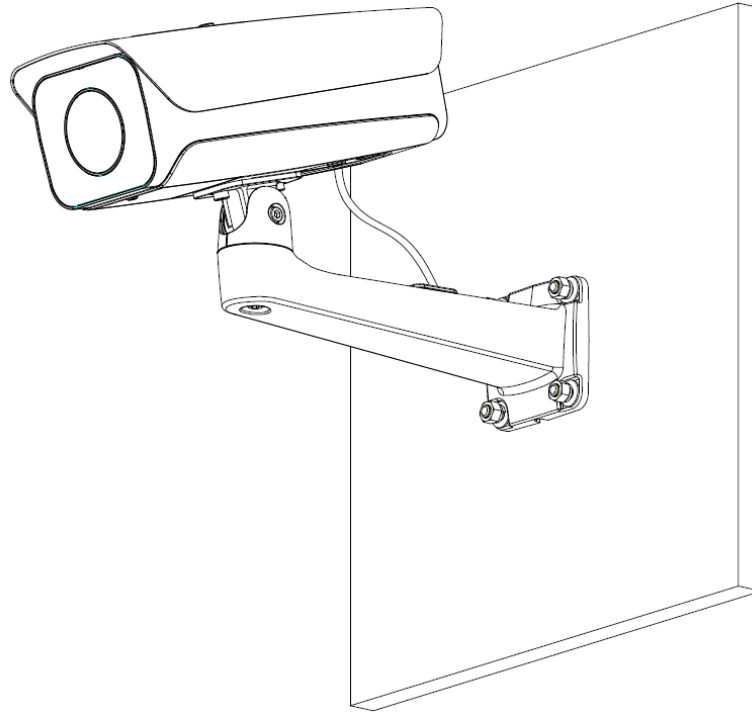
Ordering Information

Type	Part Number	Description
Camera Mount series	DH-PFB605W	Wall mount bracket

Dimensions (mm/inch)



Application



Package Information

- Wall mount bracket DH-PFB605W *1
- M6x14 screw *2
- 1/4-20 screw *2
- S5.0 wrench *1