

DH-PFH610A-IR-POE

14" corrosion-proof housing



- Designed with a die cast aluminum case.
- IP66 rated.
- Comes with a built-in PoE module, and supports PoE/12 VDC power supplies.
- With its built-in infrared light module, it produces light up to 100 meters in low light conditions.
- The heating and heat dissipation modules provide the device with a wide operating temperature range.
- Anti-corrosion design.



Scene

Ideal for mounting cameras, and works in temperatures ranging from -40°C to $+60^{\circ}\text{C}$ (-40°F to $+140^{\circ}\text{F}$) and in environments with a relative humidity of less than 90%.

Technical Specification

Function

Auto Temperature Control	Heating mode: ON: $<+5^{\circ}\text{C}$ ($+41^{\circ}\text{F}$)/OFF: $\geq+5^{\circ}\text{C}$ ($+41^{\circ}\text{F}$) Cooling mode: ON: $\geq+20^{\circ}\text{C}$ ($+68^{\circ}\text{F}$)/OFF: $<+20^{\circ}\text{C}$ ($+68^{\circ}\text{F}$)
IR Light	0 m –100 m (0 ft–328.08 ft)
Sprinkling Control	Yes

Protection

Vanda-proof	IK10
Protection	IP66
Anti-corrosion	YES
Surge Protection Grade	Common mode: ± 4 kV Different mode: ± 2 kV

Power

Power Consumption	14 W (without camera)
Power Supply	PoE+
Power Supply for Camera	PoE/12 VDC

Port

RS-485	1, used to control the IR light
Alarm Input Port	1, used to control the wiper
Alarm Output Port	2, used to control IR feedback and washer modules
DIP Switch	Yes

Structure

Product Material	Aluminum alloy + plastic
Product Dimensions	404.3 mm \times 163.8 mm \times 131.8 mm (15.92" \times 6.45" \times 5.19") (L \times W \times H)
Appearance Color	White
Window Dimensions	$\Phi 59.4$ mm ($\Phi 2.34$ ")
Internal Usable Space	255 mm \times 90 mm \times 70.5 mm (10.04" \times 3.54" \times 2.78") (L \times W \times H) 215 mm \times 90 mm \times 83 mm (8.46" \times 3.54" \times 3.27") (L \times W \times H)
Net Weight	3.1 kg (6.83 lb)
Gross Weight	3.6 kg (7.94 lb)
Installation	Wall mount, ceiling mount, plane mount, pole mount
Screw Thread Type	G1/2
Applicable Model	Please see "Camera Accessories Selection"
Packaging Dimensions	447.0 mm \times 240.0 mm \times 234.0 mm (17.60" \times 9.45" \times 9.21") (L \times W \times H)

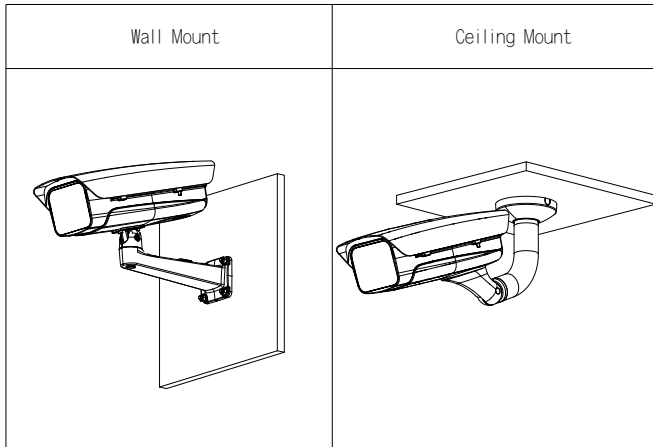
Environment

Operating Temperature	-40°C to $+60^{\circ}\text{C}$ (-40°F to $+140^{\circ}\text{F}$)
Operating Humidity	$<90\%$ (RH)
Storage Temperature	-40°C to $+60^{\circ}\text{C}$ (-40°F to $+140^{\circ}\text{F}$)
Storage Humidity	10%–90% (RH)

Certifications

Certifications	CE: EN 62368-1, EN 60950-22, EN 62560, EN55032, EN55035, EN61000-3-2, EN61000-3-3, EN50130-4 FCC: FCC part15B
----------------	--

Installation



Package Information

- 14" Corrosion-proof Housing × 1
- Installation Guide × 1
- QR code labels × 1
- Legal and Regulatory Information × 1
- Waterproof Plug × 1
- Water Joint × 2
- 1/4/20×6UNC screw × 2
- S5.0 wrench × 1
- Connecting line × 1
- Network patch cord × 1
- 12 VDC Terminal Block × 1

Dimensions (mm[inch])

