

# DH-PFH610V-IR-POE

14" vandal-proof housing



- Designed with a die cast aluminum case.
- IP66 rated.
- Comes with a built-in PoE module, and supports PoE/12 VDC power supplies.
- With its built-in infrared light module, it produces light up to 100 meters in low light conditions.
- The heating and heat dissipation modules provide the device with a wide operating temperature range.



## Scene

Ideal for mounting cameras, and works in temperatures ranging from  $-40^{\circ}\text{C}$  to  $+60^{\circ}\text{C}$  ( $-40^{\circ}\text{F}$  to  $+140^{\circ}\text{F}$ ) and in environments with a relative humidity of less than 90%.

## Technical Specification

### Function

Auto Temperature Control	Heating mode: ON: $<+5^{\circ}\text{C}$ ( $+41^{\circ}\text{F}$ )/OFF: $\geq+5^{\circ}\text{C}$ ( $+41^{\circ}\text{F}$ ) Cooling mode: ON: $\geq+20^{\circ}\text{C}$ ( $+68^{\circ}\text{F}$ )/OFF: $<+20^{\circ}\text{C}$ ( $+68^{\circ}\text{F}$ )
IR Light	0 m–100 m (0 ft–328.08 ft)
Sprinkling Control	Yes

### Protection

Vanda-proof	IK10
Protection	IP66
Surge Protection Grade	Common mode: $\pm 4$ kV Different mode: $\pm 2$ kV

### Power

Power Consumption	14 W (without camera)
Power Supply	PoE+
Power Supply for Camera	PoE/12 VDC

### Port

RS-485	1, used to control the IR light
Alarm Input Port	1, used to control the wiper
Alarm Output Port	2, used to control IR feedback and washer modules
DIP Switch	Yes

## Structure

Product Material	Aluminum alloy + plastic
Product Dimensions	404.3 mm $\times$ 163.8 mm $\times$ 131.8 mm (15.92" $\times$ 6.45" $\times$ 5.19") (L $\times$ W $\times$ H)
Appearance Color	White
Window Dimensions	$\Phi 59.4$ mm ( $\Phi 2.34$ " )
Internal Usable Space	255 mm $\times$ 90 mm $\times$ 70.5 mm (10.04" $\times$ 3.54" $\times$ 2.78") (L $\times$ W $\times$ H) 215 mm $\times$ 90 mm $\times$ 83 mm (8.46" $\times$ 3.54" $\times$ 3.27") (L $\times$ W $\times$ H)
Net Weight	3.1 kg (6.83 lb)
Gross Weight	3.6 kg (7.94 lb)
Installation	Wall mount, ceiling mount, plane mount, pole mount
Screw Thread Type	G1/2
Applicable Model	Please see "Camera Accessories Selection"
Packaging Dimensions	447.0 mm $\times$ 240.0 mm $\times$ 234.0 mm (17.60" $\times$ 9.45" $\times$ 9.21") (L $\times$ W $\times$ H)

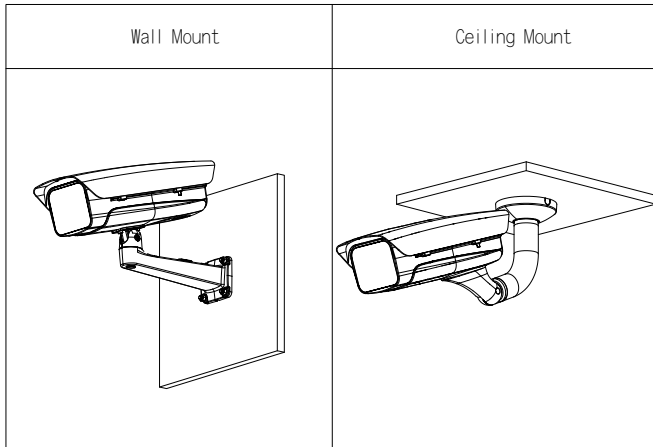
## Environment

Operating Temperature	$-40^{\circ}\text{C}$ to $+60^{\circ}\text{C}$ ( $-40^{\circ}\text{F}$ to $+140^{\circ}\text{F}$ )
Operating Humidity	$<90\%$ (RH)
Storage Temperature	$-40^{\circ}\text{C}$ to $+60^{\circ}\text{C}$ ( $-40^{\circ}\text{F}$ to $+140^{\circ}\text{F}$ )
Storage Humidity	10%–90% (RH)

## Certifications

Certifications	CE: EN 62368-1, EN 60950-22, EN 62560, EN55032, EN55035, EN61000-3-2, EN61000-3-3, EN50130-4 FCC: FCC part15B
----------------	--

## Installation



## Package Information

- 14" Corrosion-proof Housing × 1
- Installation Guide × 1
- QR code labels × 1
- Legal and Regulatory Information × 1
- Waterproof Plug × 1
- Water Joint × 2
- 1/4/20×6UNC screw × 2
- S5.0 wrench × 1
- Connecting line × 1
- Network patch cord × 1
- 12 VDC Terminal Block × 1

## Dimensions (mm[inch])

