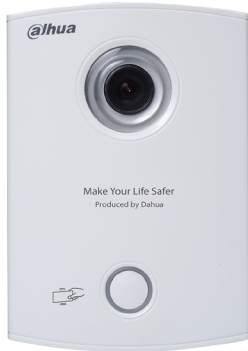


VTO6100C-S1

IP Villa Outdoor Station



Features

- HD CMOS camera
- Plastic panel, IP54
- Night vision & Voice indication
- Video & Audio messaging
- Remote intercom with mobile APP
- Flush mounted



Technical Specification

Model	VTO6100C-S1
-------	-------------

System

Main Processor	Embedded Micro Processor
----------------	--------------------------

Operation System	Embedded LINUX OS
------------------	-------------------

Video

Video Compression	H.264
-------------------	-------

Image Sensor	1/3" 1.3MP CMOS
--------------	-----------------

Lens	3.6mm
------	-------

Angle of View	H:71°, V:52°, D:92°
---------------	---------------------

Day/Night	Color Image
-----------	-------------

Audio

Audio Compression	G.711
-------------------	-------

Audio Input	Omnidirectional Mic
-------------	---------------------

Audio Output	Built-in Speaker
--------------	------------------

Bidirectional Talk	Support Dual-way Bidirectional talk
--------------------	-------------------------------------

Operation Mode

Keypad	Single Mechanical Button
--------	--------------------------

Reader	Mifare Card
--------	-------------

Interface

Door Control	1
--------------	---

Alarm In	2(1ch unlock button, 1ch feedback)
----------	------------------------------------

RS485	-
-------	---

Network

Ethernet	10M/100Mbps Self-adaptive
----------	---------------------------

Network Protocol	TCP/IP
------------------	--------

General

Ingress Protection	IP54
--------------------	------

Tamper Switch	1
---------------	---

Installation	Flush
--------------	-------

Material	Plastic
----------	---------

Power	DC 12V
-------	--------

Power Consumption	Work ≤10W
-------------------	-----------

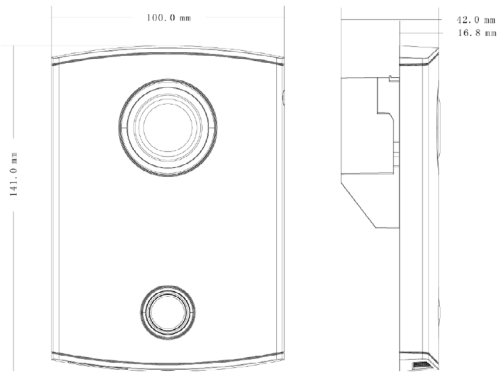
Working Temperature	-30°C to +60°C
---------------------	----------------

Relative Humidity	10%RH-90%RH
-------------------	-------------

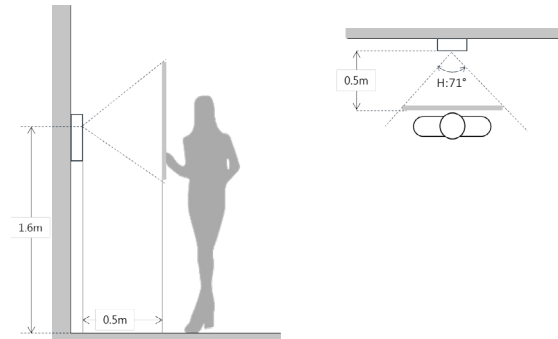
Dimensions	100.0mm×141.0mm×42.0mm
------------	------------------------

Weight	0.4kg
--------	-------

Dimensions



View Area



Application

