

DH-PFA100

Mount Adapter



Features

- Aesthetic design
- Material: aluminum
- Mount adapter

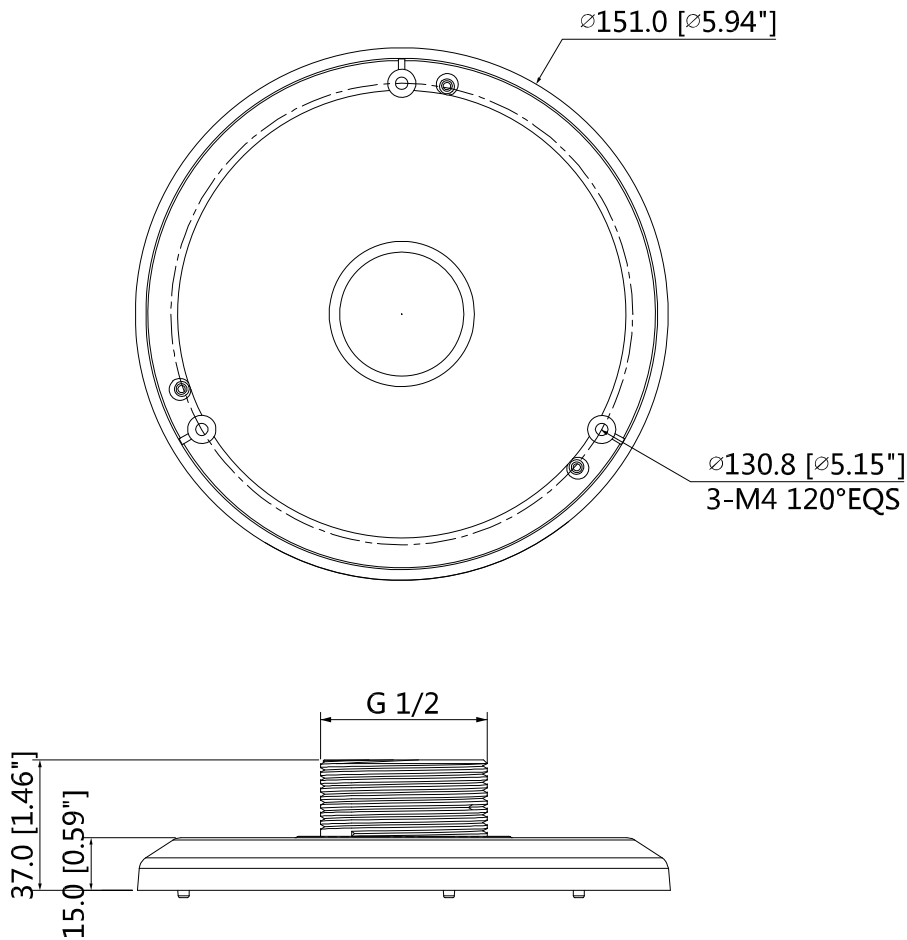
Technical Specifications

Model	DH-PFA100
General	
Material	Aluminum
Dimension	Φ150.8mmx37mm (Φ5.94"x1.46")
Pipe Thread	G1 1/2"
Load Bearing	3.0kg(6.61lb)
Weight	0.21kg(0.46lb)
Color	White
Operating Temperature	-40°C ~ +60°C (-40°F ~ +140°F)
Humidity	<90% RH
Applicable Model	Please see "Accessory Selection"

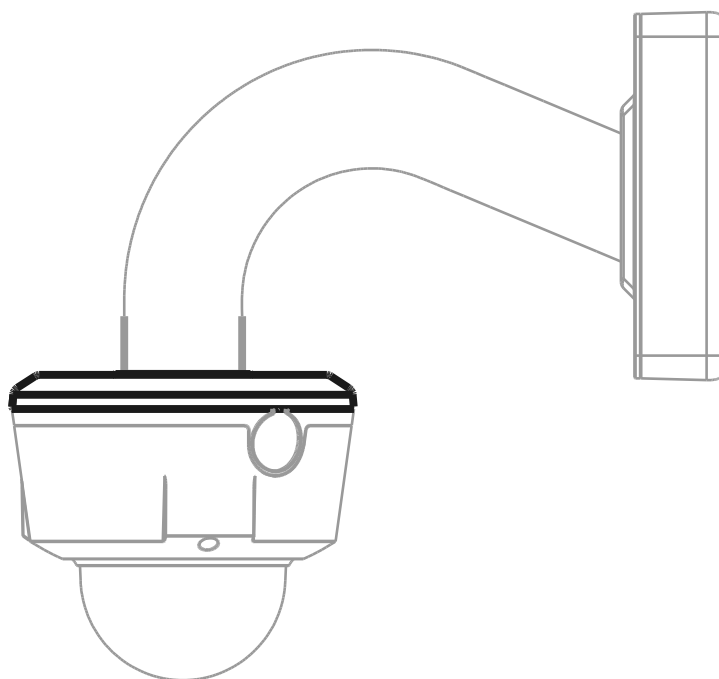
Order Information

Type	Part Number	Description
Camera Mount	DH-PFA100	Mount adapter
	PFA100	Mount adapter

Dimensions (mm/inch)



Application



Package Information

- Mount adapter *1