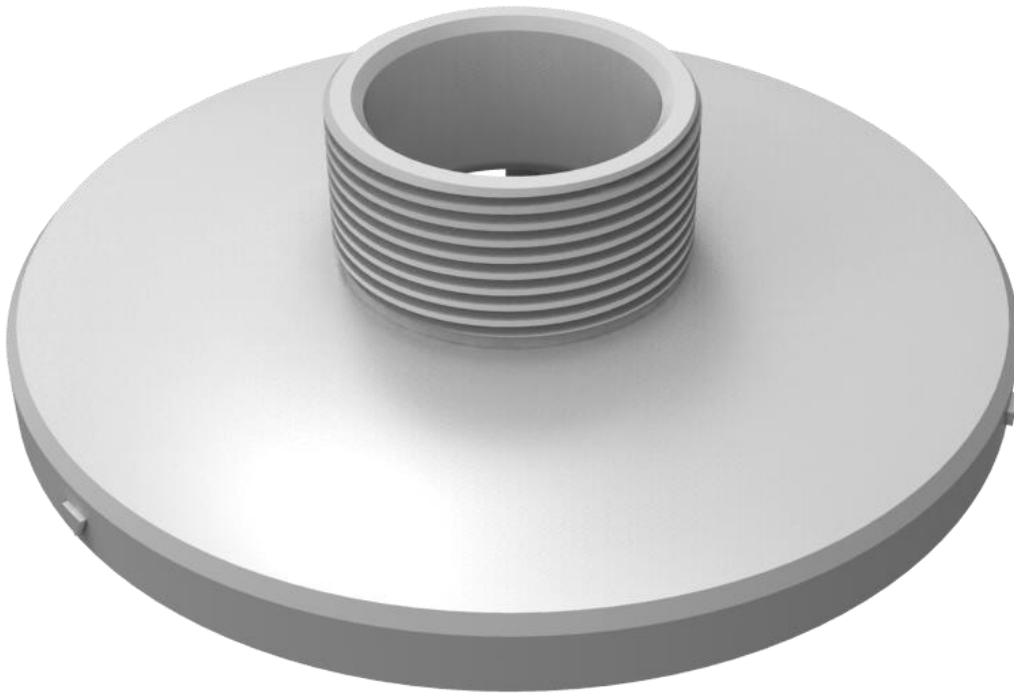


# DH-PFA103

## Mount Adapter



### Features

- Aesthetic design
- Material: aluminum
- Hanging mount adapter

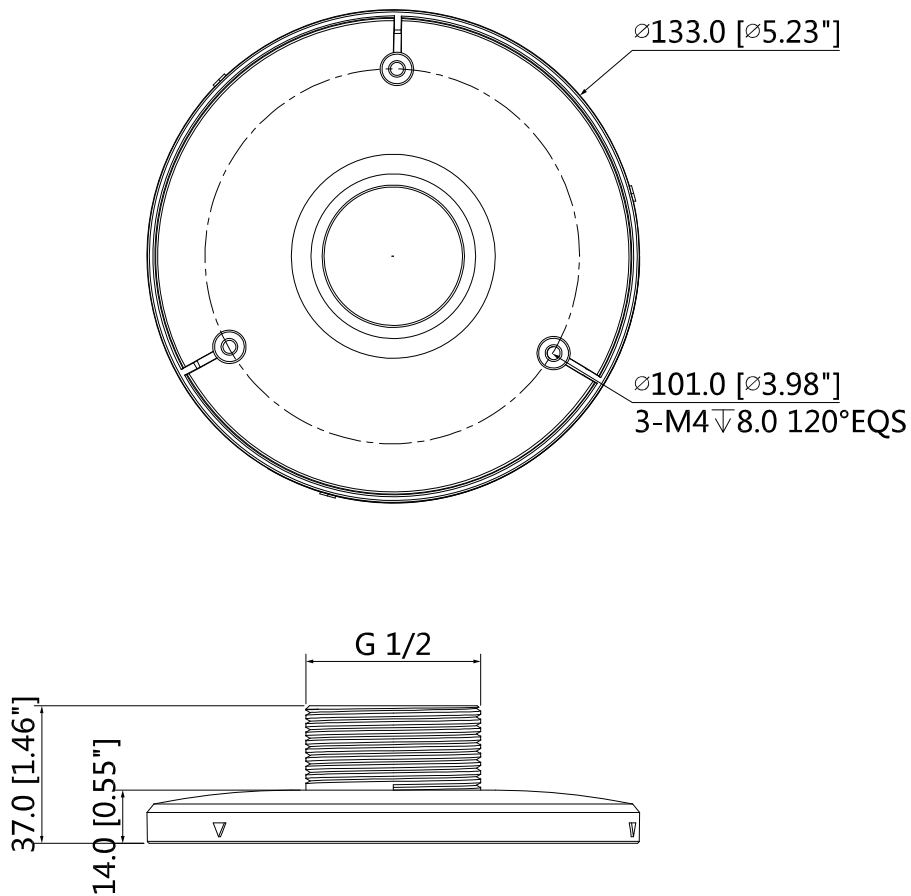
### Technical Specifications

<b>Model</b>	<b>DH-PFA103</b>
<b>General</b>	
Material	Aluminum
Dimension	Φ133mmx37mm (Φ5.23"x1.46")
Pipe Thread	G1 1/2"
Load Bearing	3.0kg(6.61lb)
Weight	0.13kg(0.29lb)
Color	White
Operating Temperature	-40°C ~ +60°C (-40°F ~ +140°F)
Humidity	<90% RH
Applicable Model	Please see "Accessory Selection"

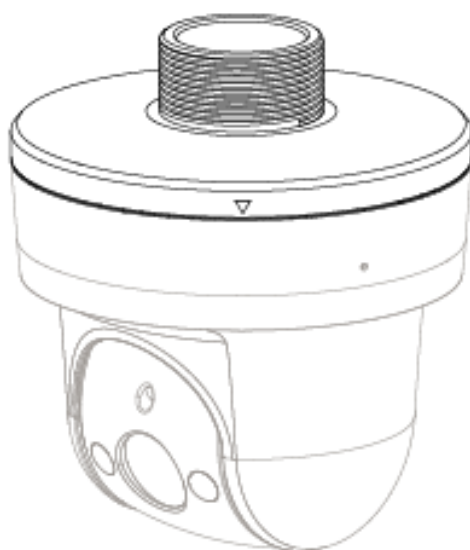
### Order Information

Type	Part Number	Description
Camera Mount	DH-PFA103	Mount adapter
	PFA103	Mount adapter

### Dimensions (mm/inch)



## Application



## Package Information

- Mount adapter \*1