

# DH-PFA107

## Adapter Plate of PTZ Network Camera



### Features

- Aesthetic design
- Material: aluminum

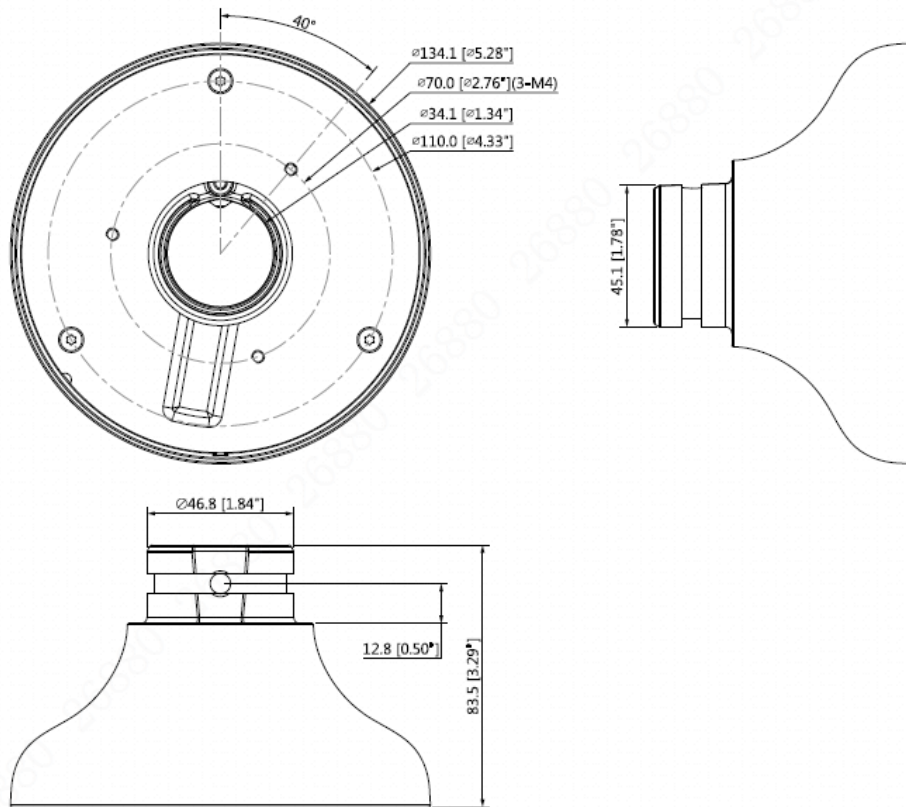
### Technical Specifications

|                       |                                |
|-----------------------|--------------------------------|
| <b>Model</b>          | <b>DH-PFA107</b>               |
| <b>General</b>        |                                |
| Material              | Aluminum                       |
| Dimension (DIA x H)   | Φ134.1mmx83.5mm (Φ5.28"x3.29") |
| Weight                | 0.29kg(0.64lb)                 |
| Load Bearing          | 1kg(2.2lb)                     |
| Color                 | White                          |
| Operating Temperature | -40°C ~60°C(-40°F ~140°F)      |
| Humidity              | <90% RH                        |
| Applicable Model      | DH-PFB305W, DH-PFB220C         |

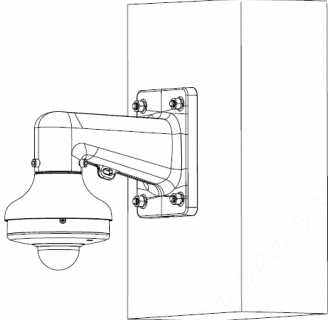
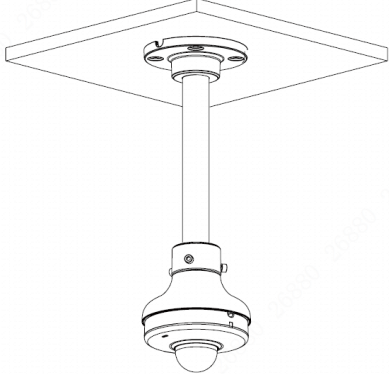
### Order Information

| Type         | Part Number      | Description                               |
|--------------|------------------|---|
| Camera Mount | <b>DH-PFA107</b> | <b>Adapter plate _ Dahua brand</b>        |
|              | <b>PFA107</b>    | <b>Adapter plate _ Neutral, no brand</b>  |
|              | DH-PFB305W       | Wall mount bracket _ Dahua brand          |
|              | PFB305W          | Wall mount bracket _ Neutral, no brand    |
|              | DH-PFB220C       | Ceiling mount bracket _ Dahua brand       |
|              | PFB220C          | Ceiling mount bracket _ Neutral, no brand |

### Dimensions (mm/inch)



## Application

| Wall Mount  | Ceiling Mount  |
|---|--|
| PFB305W+PFA107  | PFB220C+PFA107   |
|  |  |

## Package Information

- Adapter plate \*1
- M4x10 screw \*3