

# DH-PFA135

## Junction Box



### Features

- Aesthetic design
- Material: aluminum
- Junction box

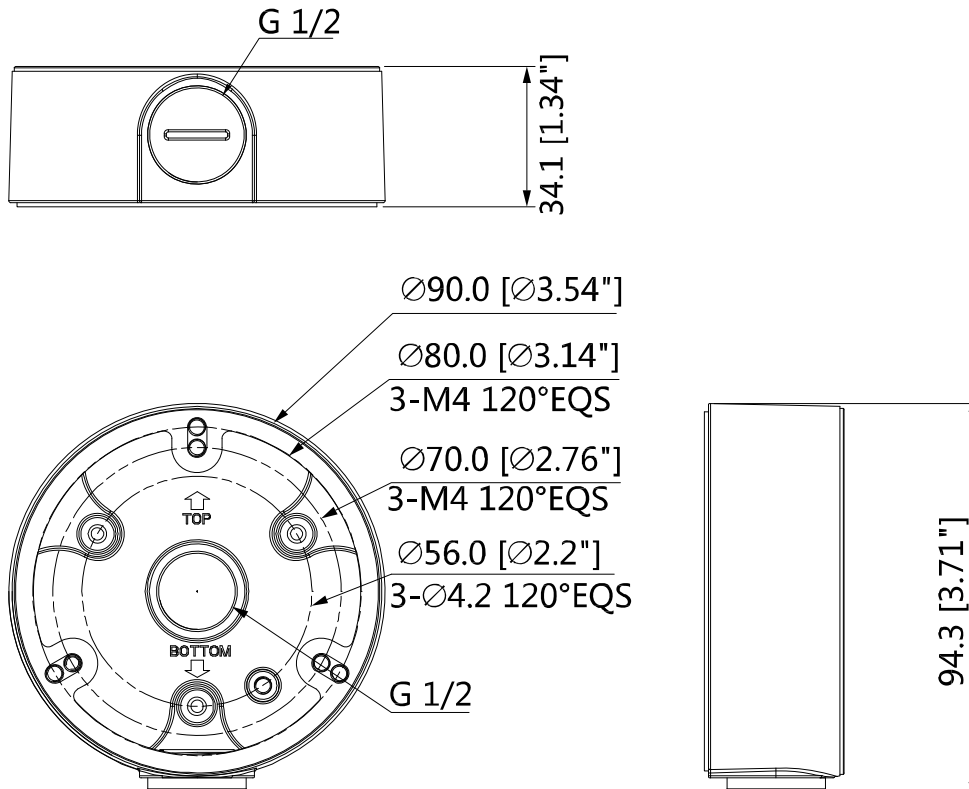
### Technical Specifications

<b>Model</b>	<b>DH-PFA135</b>
<b>General</b>	
Material	Aluminum
Dimension	Φ90.0mmx34.1mm (Φ3.54"x1.34")
Inch Thread	M20(G1/2")
Load Bearing	1.0kg(2.2lb)
Weight	0.16kg(0.35lb)
Color	White
Operating Temperature	-40°C~+60°C(-40°F ~+140°F)
Humidity	0~90% RH
Applicable Model	Please see "Accessory Selection"

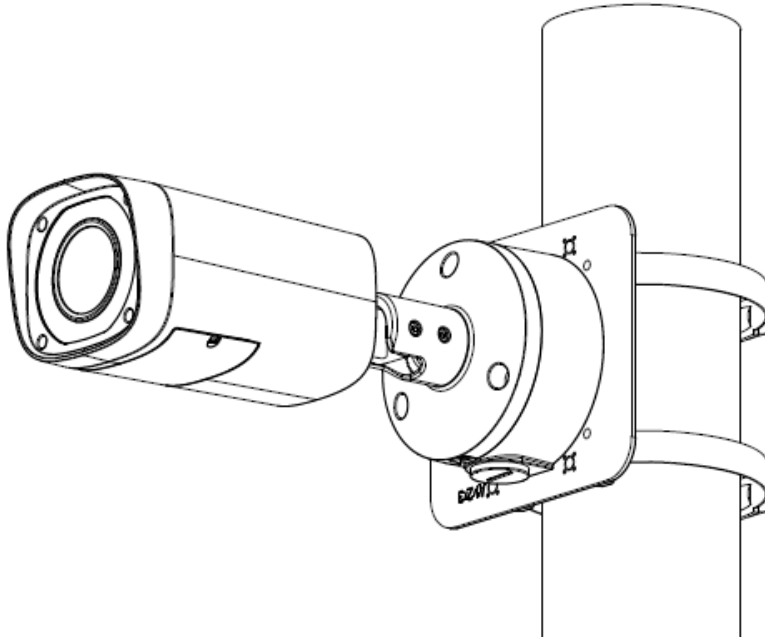
### Order Information

Type	Part Number	Description
Camera Mount	DH-PFA135	Junction box
	PFA135	Junction box

### Dimensions (mm/inch)



## Application



## Package Information

- Junction box \*1
- M4x12 screw \*3
- ST4x25 screw \*3
- Plastic anchor \*3
- Water-proof joint \*1
- Wrench \*1