

DH-PFA13C

Junction Box



Features

- Aesthetic design
- Material: Aluminum
- Junction box

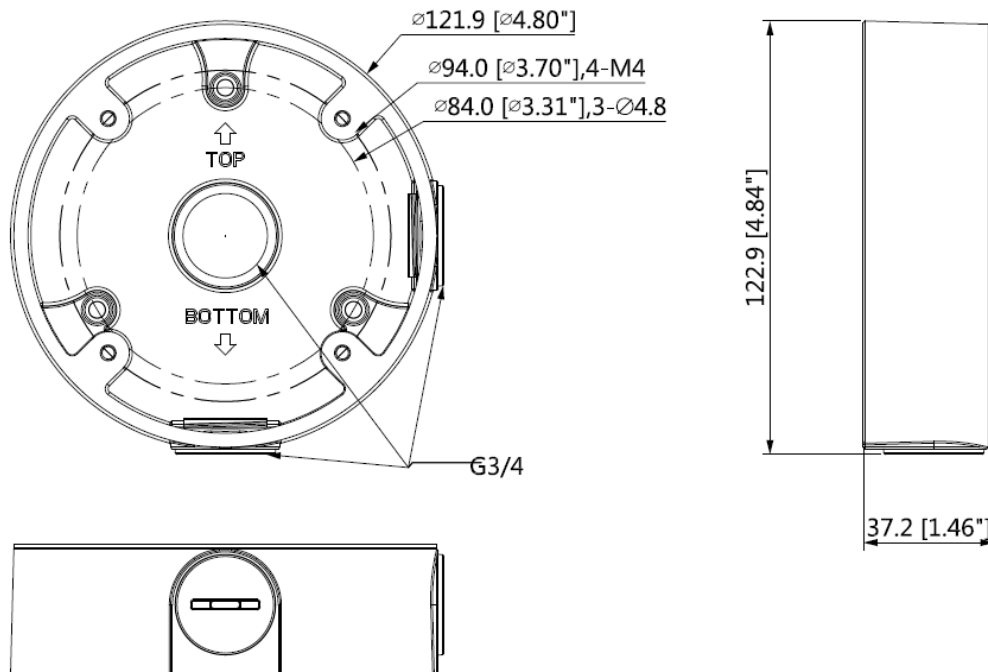
Technical Specifications

Model	DH-PFA13C
General	
Material	Aluminum
Dimension (W x H x D)	Φ123mmx37.2mm (Φ4.84"x1.46")
Pipe thread	G3/4"
Weight	0.22kg(0.49lb)
Load bearing	3.0kg(6.61lb)
Color	White
Operating temperature	-40°C ~60°C(-40°F ~140°F)
Humidity	0~90% RH
Applicable model	Please see "Accessory Selection"

Order Information

Type	Part Number	Description
Camera mount	DH-PFA13C	Junction box
	PFA13C	Junction box

Dimensions (mm/inch)



Application



Package Information

- Junction box *1
- M4x10 screw *4
- ST4x25 screw&anchor *3
- Mounting sticker *1
- S3.0 wrench *1