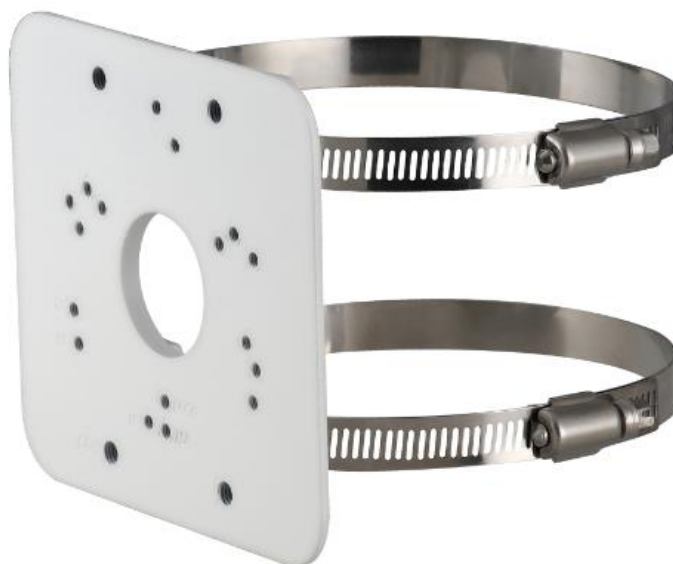


# DH-PFA152-E

## Pole Mount Bracket



### Features

- Material: aluminum & SUS304
- Pole mount bracket
- Aesthetic design

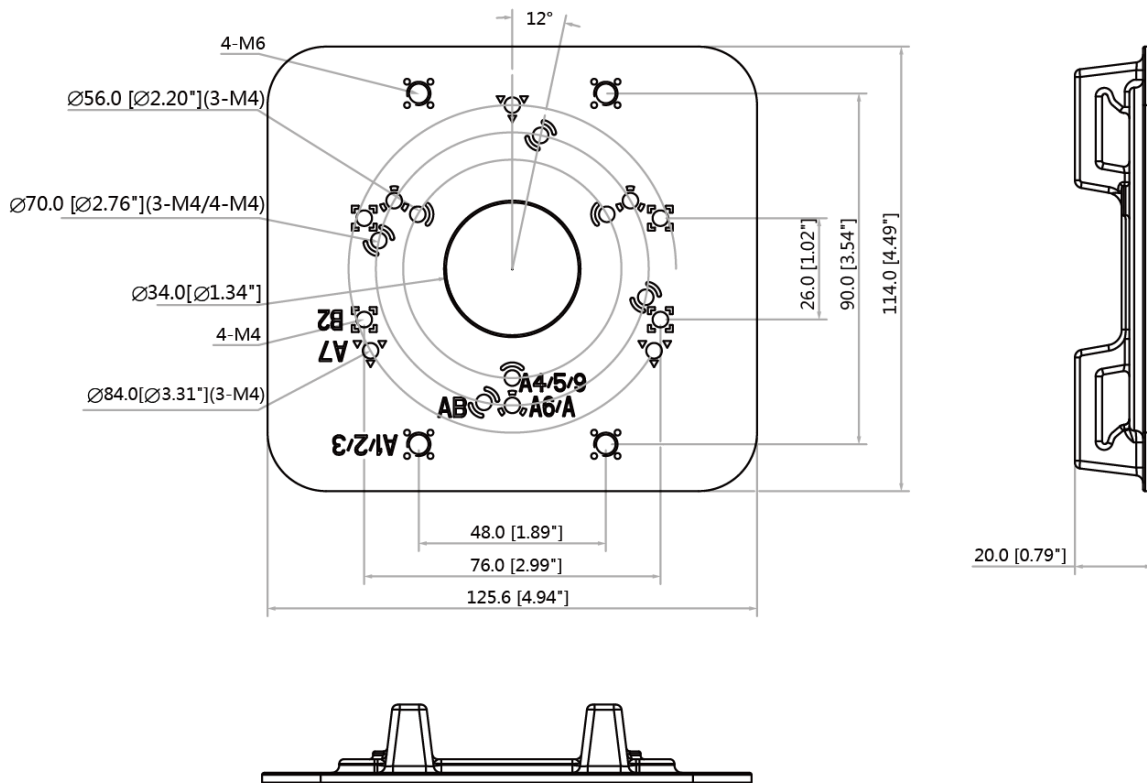
### Technical Specifications

<b>Model</b>	<b>DH-PFA152-E</b>
<b>General</b>	
Material	Aluminum & SUS304
Dimension(WxHxD)	125.6mmx114mmx20mm (4.94"x4.49"x0.79")
Mast Diameter	φ80~150mm(φ3.15"~5.91")
Pipe Thread	N/A
Operating Temperature	-40°C ~+60°C (-40°F ~+140°F)
Humidity	<90% RH
Load Bearing	3.0kg(6.61lb)
Weight	0.27kg(0.6lb)
Color	White
Applicable Model	Please see "Accessory Selection"

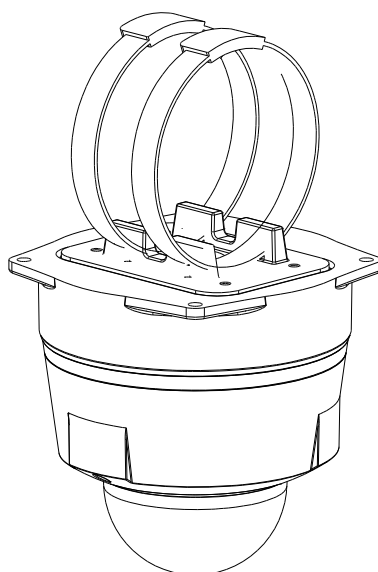
### Order Information

Type	Part Number	Description
Camera Mount	DH-PFA152-E	Pole mount bracket
	PFA152-E	Pole mount bracket

### Dimensions (mm/inch)



## Application



## Package Information

- Pole mount bracket \*1
- M4 screw \*4
- M6 screw \*4
- Wrench \*1
- Metal hoop: 2