

DH-PFB410W

Fisheye-PTZ Integrated Bracket



Features

- Neat & Integrated design, wall mount and hidden line design.
- Material: Aluminum.
- Support linkage scheme between fisheye and speed dome, integrated installation.
- Multi-dimensional adjustment, able to meet Omni-directional observation requirements from different angles.
- Safety rope hook attached, secure and reliable.
- Maintenance cover board attached, convenient operation.

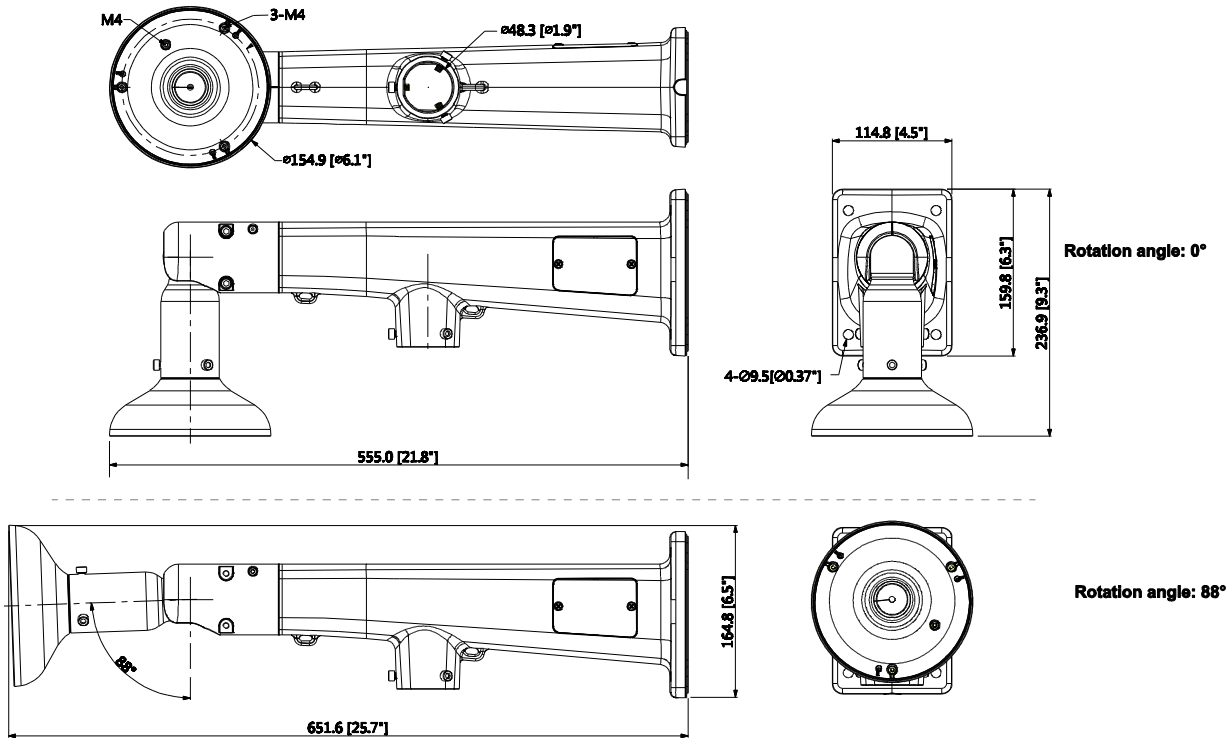
Technical Specifications

Model	DH-PFB410W
General	
Material	Aluminum
Dimension	Rotation angle 0° : 651.6mmx164.8mmx154.9mm (25.7"x6.5"x6.1") Rotation angle 88° : 555mmx236.9mmx154.9mm (21.8"x9.3"x6.1")
Adjustment angle (Vertical)	0° ~88°
Adjustment angle (Horizontal)	0° ~360°
Load Bearing	Fisheye: 1kg (2.2lb) PTZ: 7kg (15.43lb)
Weight	2.8kg (6.17lb)
Color	White
Operating Temperature	-40°C ~60°C(-40°F ~ +140°F)
Humidity	0~90% RH

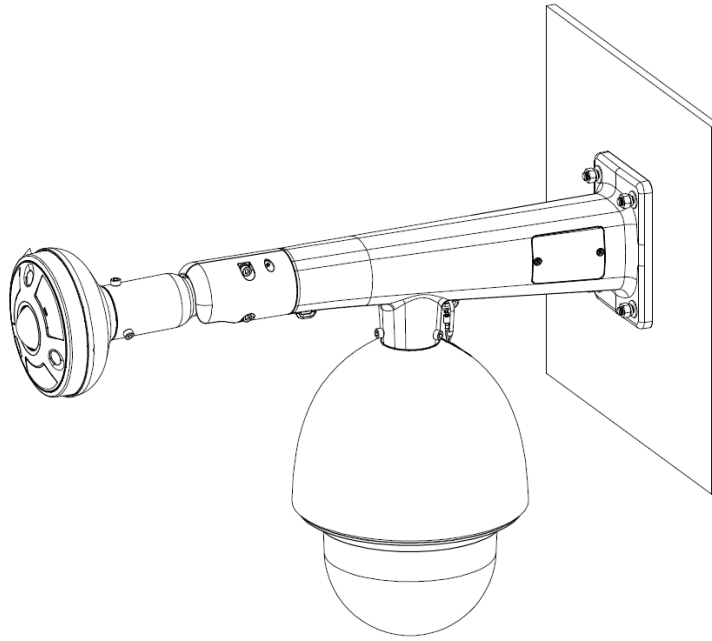
Order Information

Type	Part Number	Description
Camera mount	DH-PFB410W	Fisheye-PTZ integrated bracket _ Dahua brand
	PFB410W	Fisheye-PTZ integrated bracket _ Neutral, no brand

Dimensions (mm/inch)



Application



Package Information

- Integrated bracket *1
- Fisheye adapter plate *1
- Application manual *1
- Wrench *1

Package data	
Box Dimension	637mmx207mmx215mm (25.1"x8.15"x8.5")
Box Weight	3.4kg (7.5lb)
Protective Box Dimension	664mmx444mmx476mm (26.14"x17.5"x18.74")
Box In Protective Box	4 In 1