

# DH-PFB604W

## 14" Housing Wall Mount Bracket



### Features

- Material: aluminum
- Wall mount bracket
- Hidden line design
- Aesthetic design

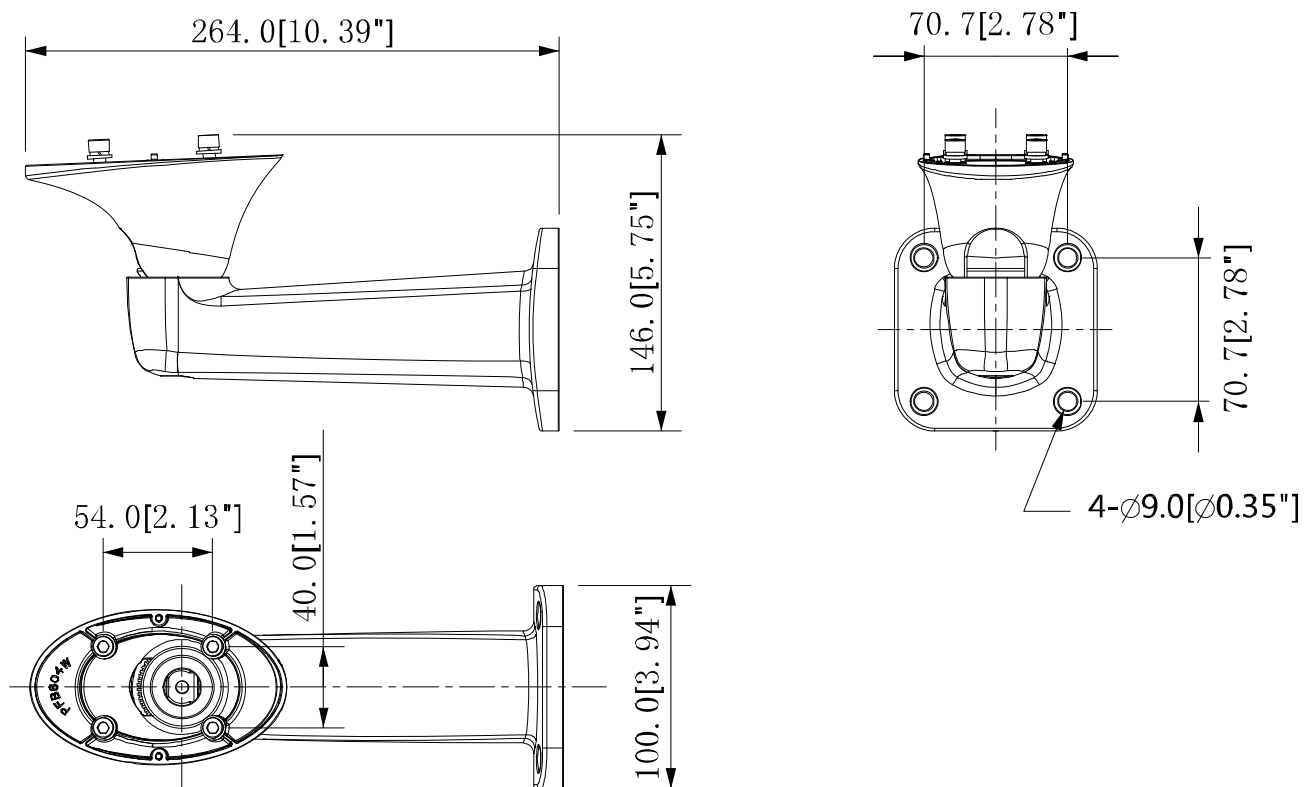
### Technical Specifications

<b>Model</b>	<b>DH-PFB604W</b>
<b>General</b>	
Material	Aluminum
Dimension	264.0mmx100.0mmx146.0mm (10.39"x3.94"x5.75")
Inch Thread	M20(G1/2")
Load Bearing	4.0kg(8.82lb)
Weight	0.56kg(1.23lb)
Color	White
Operating Temperature	-40°C ~ +60°C (-40°F ~ +140°F)
Humidity	0~90% RH
Applicable Model	Please see "Accessory Selection"

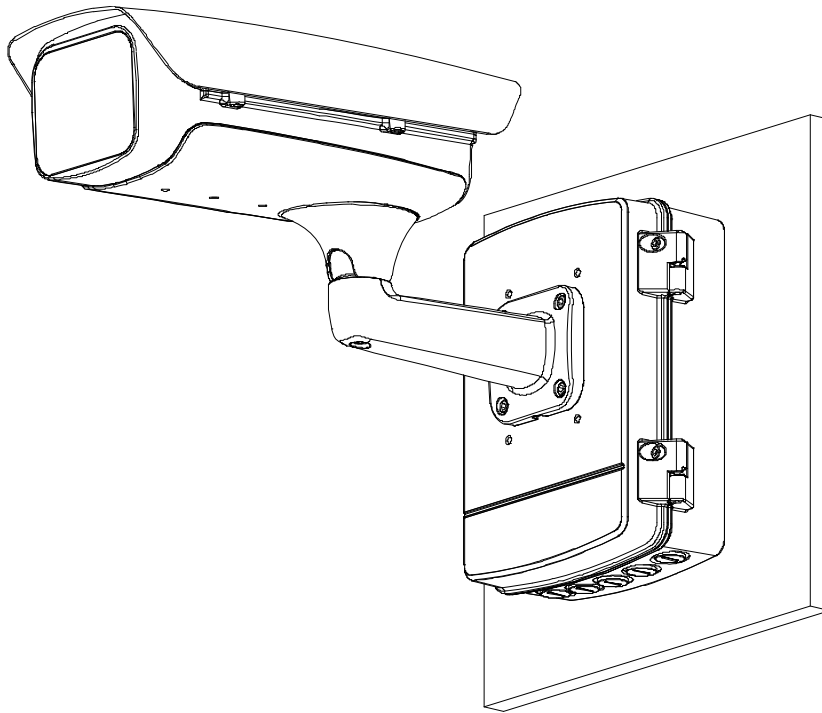
### Order Information

Type	Part Number	Description
Camera Mount	DH-PFB604W	Housing wall mount bracket
	PFB604W	Housing wall mount bracket

### Dimensions (mm/inch)



## Application



## Package Information

- Housing wall mount bracket \*1
- ST6x45 screw \*4
- Plastic anchor \*4
- Wrench \*1