

## DH-PFM881E

---

### Outdoor 5G Wireless Transmission Device



### Features

- Supports outdoor temperature:  $-30^{\circ}\text{C}$ ~ $70^{\circ}\text{C}$ , industrial design;
- Wireless coverage recommended range $\leq$ 3km;
- Radio-frequency mouth anti-thunder reaches 15KV ESD;
- Supports auto ranging function, real time display straight line distance between client and base station;
- Supports device auto reboot function;
- 5G mode support 5745~5825MHz(extended range: 4920~6100MHz);
- Supports flow control, effectively control base station/client input/output flow control;
- Supports VLAN partition, realize virtual local network function, control broadcast storm
- Supports 802.1x authentication method, effectively guarantee client access control, provide access safety.
- Supports client priority setting, better dispatch each client when the mode is point-to-multipoint
- Supports multiple channel option (5M/10M/20M/40M), effectively improve anti-interference and penetration capability
- Support standard PoE power supply (IEEE802.3at, PoE+)

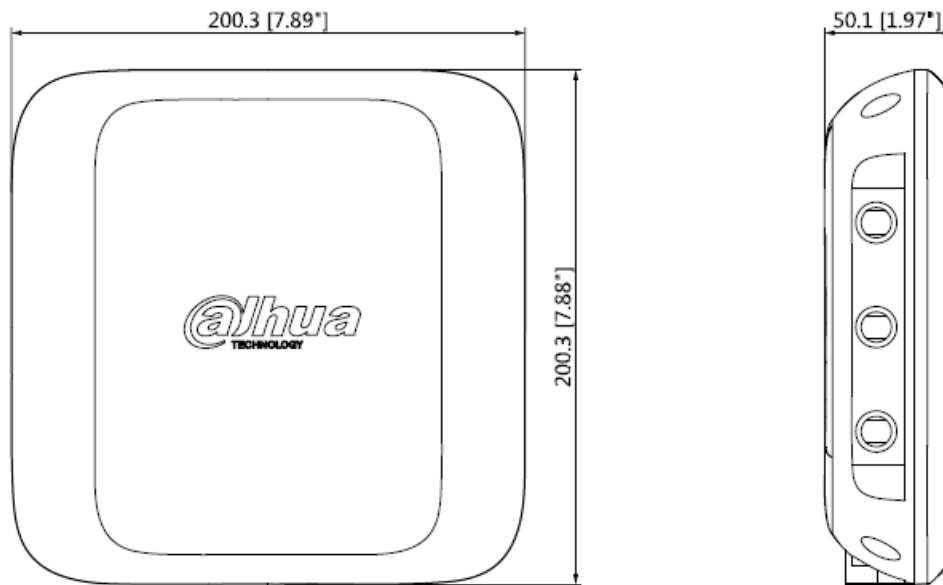
# DH-PFM881E

## Specifications

<b>Model</b>	<b>DH-PFM881E</b>
<b>Wireless Features</b>	
Wireless Standard	IEEE802.11 a/n/ac
Working Frequency	5745~5825 MHz (extended range: 4920~6100MHz)
Wireless Speed	867Mbps
Modulation Mode	OFDM
Antenna	18dBi (Directional)
Output Power	24dBm
Receiving Sensitivity	11a: 1Mbps -93 dBm      54 Mbps -72dBm 6Mbps -91 dBm 11n: MCS0 -85 dBm      MCS7 -67dBm 11ac: MCS0 -85 dBm      MCS9 -60dBm
Transmission Distance	0-3km (recommended)
Wireless Direction Angle	Horizontal 17°, vertical 17°
<b>Hardware</b>	
Power	1*PoE RJ45 (IEEE802.3at, PoE+), 1*LAN RJ45(1000Mbps)
Power Consumption	≤25W
Ethernet Port	2x10/100M/1000MBase-TX (Cat. 5/5E, RJ-45)
Indicator Light	N/A
Working Temperature	-30℃~+70℃
Storage Temperature	-30℃~+80℃
Working Humidity	5%~95%RH(no condensation)
Equipment Dimension	200mm*200mm*50mm
Equipment Weight	1.05kg
<b>Software</b>	
Encryption Type	802.1x/WPA-PSK/WPA2-PSK
Network Mode	Route/Network Bridge
Working Mode	Access Point/Client/WDS AP/WDS client/WDS Repeater
Security Mechanism	IP/MAC address filtering, hide network name
Network Protocol	TCP/UDP/ARP/ICMP/DHCP/HTTP/NTP
TDMA	Support
Auto ACK Timing Adjustment	Support
Management and Log	NTP, Syslog, Telnet, AC, SNMP
Webpage Configuration Management	Web, AC, SNMP
Firmware Update	Web, AC
Bandwidth Flexible Configuration	10M/20M/40M/80M

## Dimensions (mm)

## DH-PFM881E



### Application Scenarios

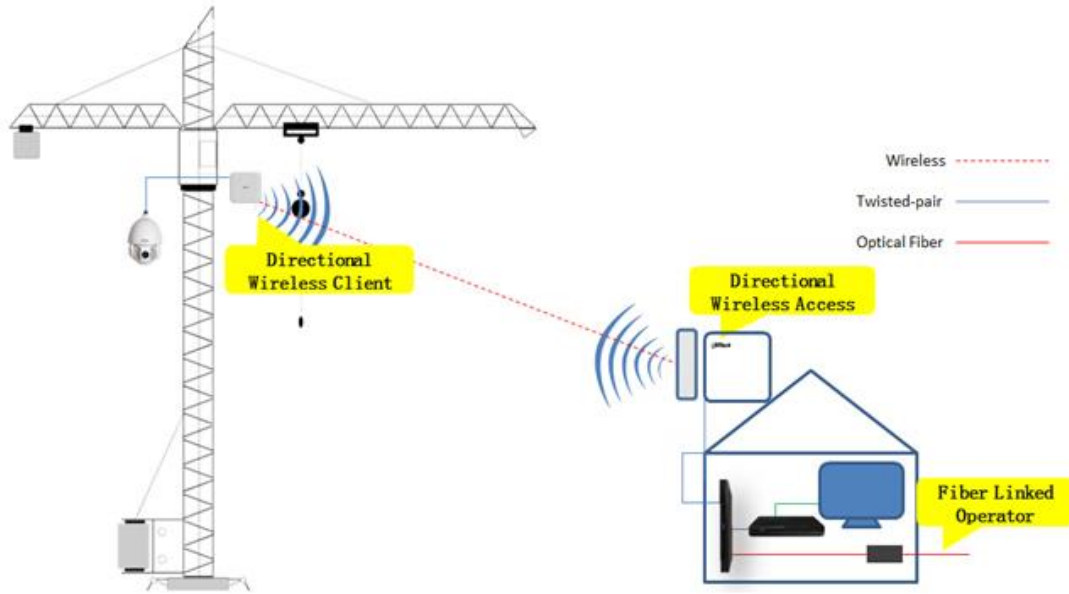
1. Safe towns, safe construction sites, safe scenic area and wireless HD video monitoring of the bus stations, etc.
2. Playground, ranch, uptown crossroad, orchard, park and other no blocking scenarios.

### Networking Mode

#### 1. Point-to-Point Networking

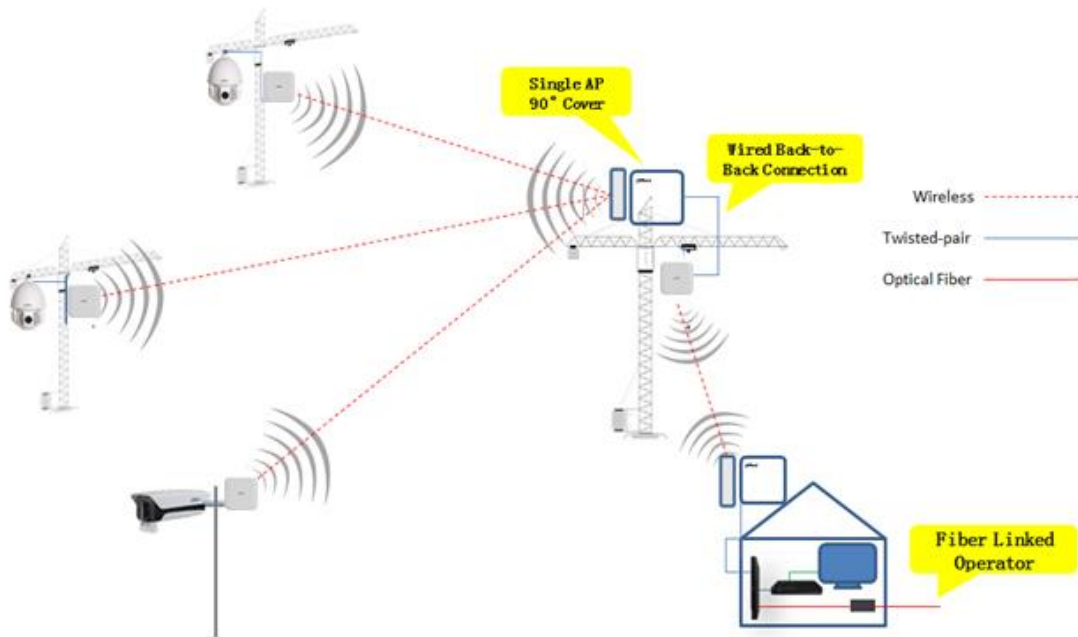
For point-to-point communication, generally a DH-PFM881E is set as access point, and another DH-PFM881E is set as client, as demonstrated below.

# DH-PFM881E



## 2. Point-to-Multipoint Networking

For point-to-multipoint communication, generally adopt DH-PFM880E as server, and it is set as access point (different “frequency/channel” should be set when there are several access points in order to avoid interference), DH-PFM881E is set as client, as demonstrated below.

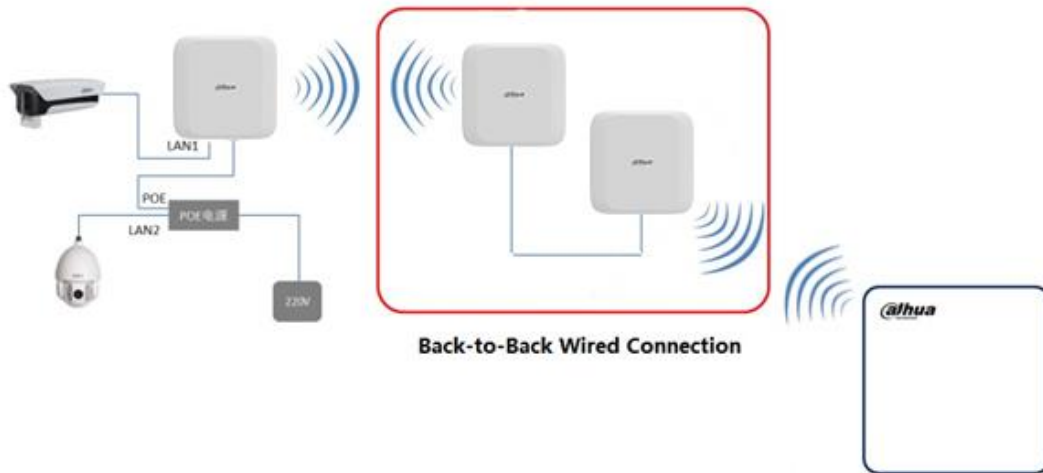


## 3. Back-to-Back Angle Adjustment Network

For wireless coverage blind angle, cable connection for double devices is

## DH-PFM881E

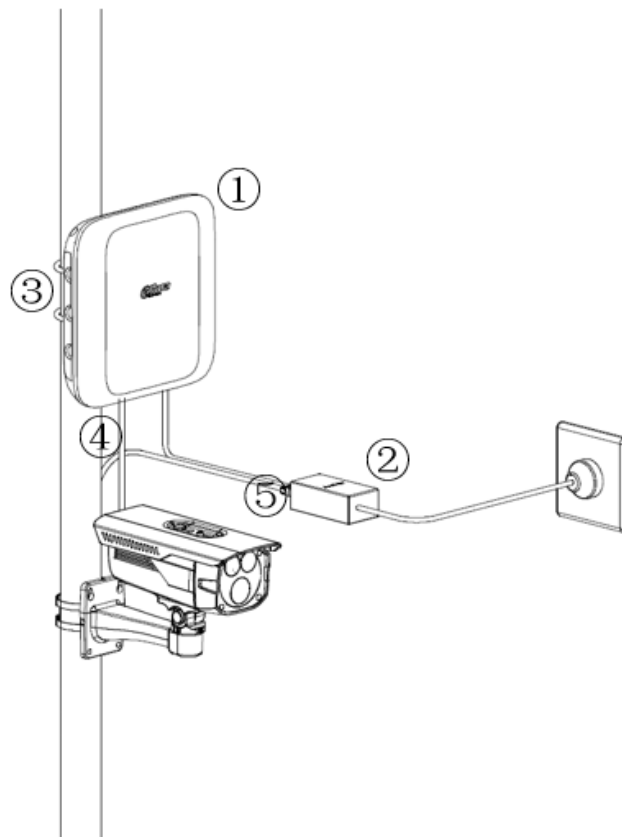
recommended, which can solve the problem of angle by adjusting two directions respectively; the back-to-back connection for double devices can also be applied to long-distance repeater, as demonstrated below.



## Connection Mode

## DH-PFM881E

---



1. Wireless transmission device
2. PoE adapter
3. Brackets
4. LAN2 port is used to connect to IP cameras or other devices
5. LAN port in PoE adapter is used to connect to IP cameras or other devices

---

### Dahua Technology Co., Ltd.

1199 BinAn Road, Binjiang District, Hangzhou, China

Tel: +86-571-87688883

Fax: +86-571-87688815

Email: [overseas@dahuatech.com](mailto:overseas@dahuatech.com)

[www.dahuasecurity.com](http://www.dahuasecurity.com)

\*Design and specifications are subject to change without notice.

© 2016 Dahua Technology Co., Ltd.