

# DH-HAP120

## Hi-fidelity Pickup



### Features

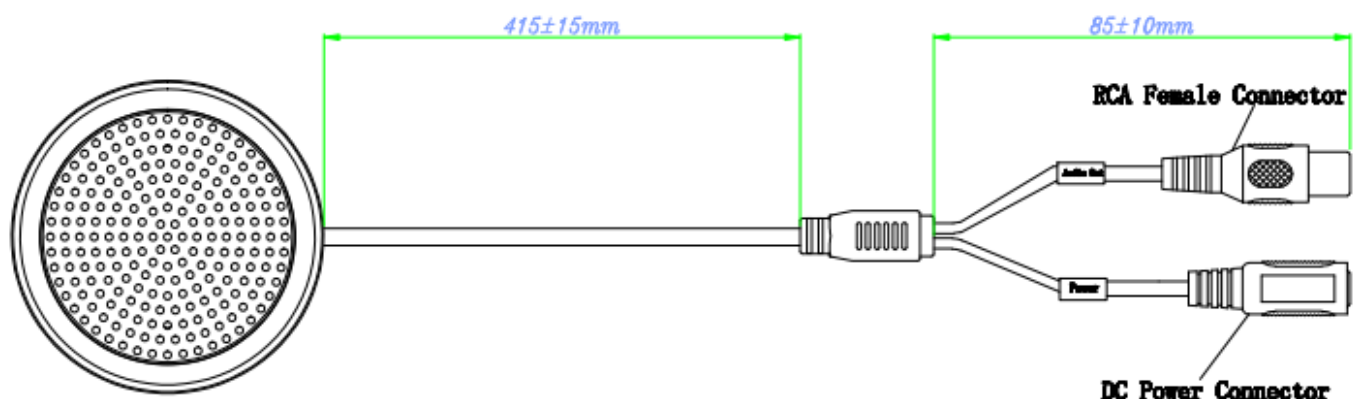
- Use high sensitivity, all directional microphone head and omnidirectional microphone, clear and natural sound;
- Lightning protection, power polarity transposition protection and electrostatic protection.

## Technical Specifications

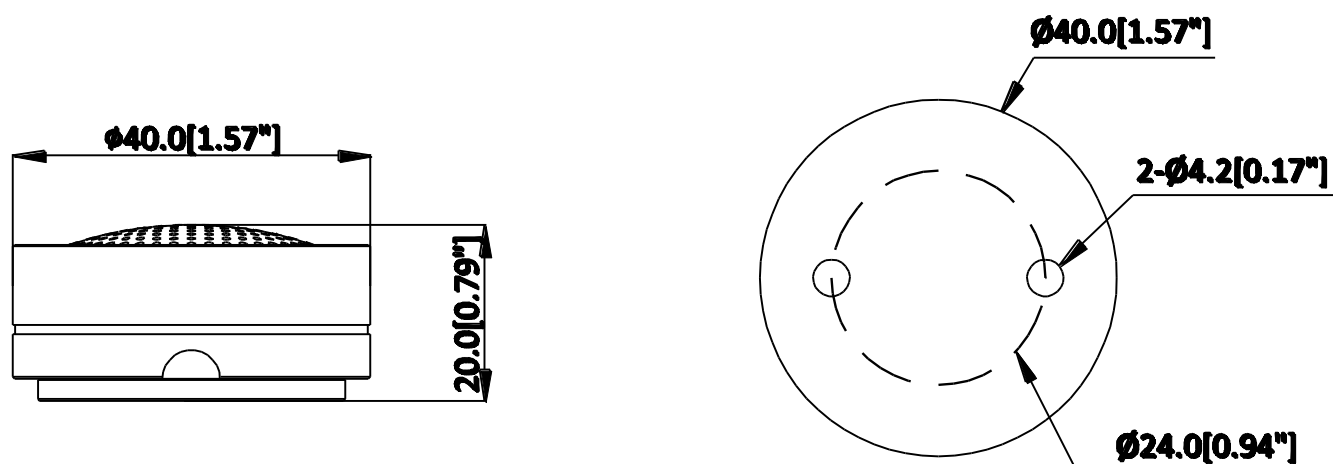
Model	DH-HAP120
<b>General</b>	
Scope	10~70 m <sup>2</sup>
Sensitivity	-34±3 dB
Frequency Response	80Hz~16kHz
Directional Characteristic	Omni-directional
SNR (re 94dB SPL=1Pa@1kHz)	58dB
Dynamic Range	74dB
Max. Sustainable Sound Pressure	110dB SPL (1kHz, THD 1%)
Output Impedance	600Ω (non-equilibrium)
Output Signal Amplitude	2.5Vpp/88dB SPL
Microphone	Plated film capacitor microphone head
Working Voltage	DC 12V
Working Current	40mA
Working Temperature	-30°C~+70°C (-22°F ~ +158°F)
Material	Aluminum
Color	Silver
Dimension	Φ40mm×20mm (Φ1.57"×0.79")
Weight	48g (0.11lb)
Certification	CE/FCC

## Interface information

- RCA female connector
- DC Power connector

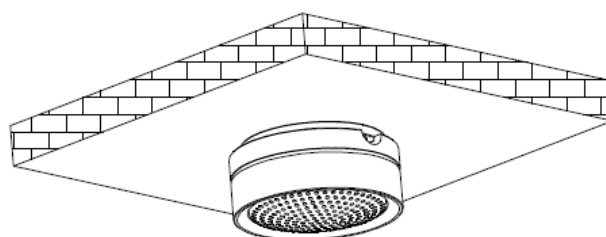


## Dimensions (mm/inch)



## Application scenarios

- It is suitable for such as electronic examination room, bank and guard room.



## Package Information

- Hi-fidelity pickup \*1
- M4 screw&anchor \*3
- User manual \*1