

DH-HAP320

Hi-fidelity Pickup



Features

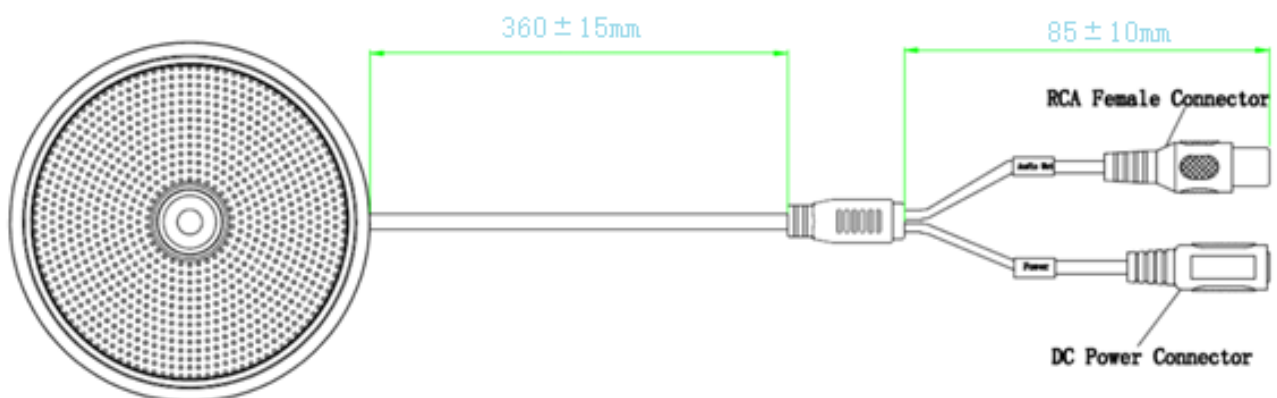
- Use high sensitivity, all directional microphone head and omnidirectional microphone, clear and natural sound;
- Ambient noise cancellation(ANC) technology;
- Built-in AGC automatic gain control circuit.

Technical Specifications

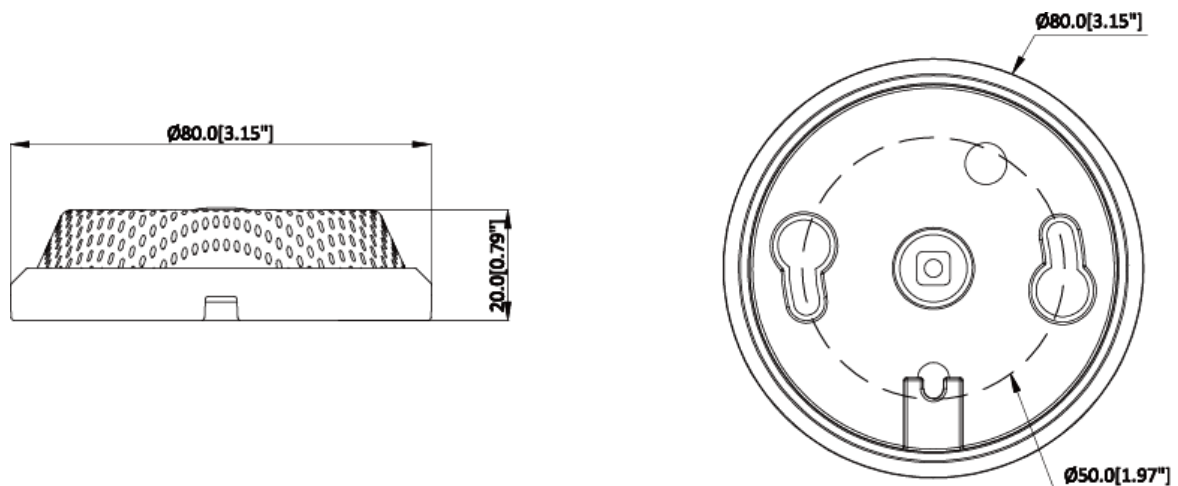
Model	DH-HAP320
General	
Scope	10-150 m ²
Sensitivity	-35±2dB
Frequency Response	20Hz~20kHz
Directional Characteristic	Omni-directional
SNR(re 94dBSPL=1Pa@1kHz)	65dB
Dynamic Range	86dB
Max. Sustainable Sound Pressure	115dBSPL (1kHz, THD 1%)
Output Impedance	100Ω (non-equilibrium)
Output Signal Amplitude	2.5Vpp/92dBSPL
Microphone	Plated film capacitor microphone head
Working Voltage	DC 12V
Working Current	60mA
Working Temperature	0°C~+50°C(32°F ~+122°F)
Material	Metal
Color	White
Dimension	Φ80mm×20mm (Φ3.15"×0.79")
Weight	170g (0.37lb)
Certification	CE/FCC

Interface information

- RCA female connector
- DC Power connector

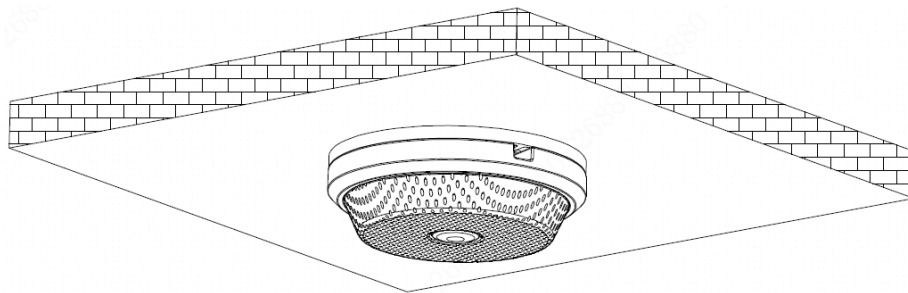


Dimensions (mm/inch)



Application scenarios

- It is suitable for such as recorded broadcast classroom, meeting-recording, banks and courts.



Package Information

- Hi-fidelity pickup *1
- M4 screw&anchor *3
- User manual *1