

DH-PFM889-I/IM

Indoor 5G Wireless video transmission device (AP)



Features

- The best coverage: 0-150m(open);
- PoE power supply, which supports international standard 802.3at and lets power supply be convenient and reliable;
- Support Web page and AC remote operations management and make the installation and maintenance be more convenient;
- Support SNMP v1/v2c/v3 network management protocol, adapt to all kinds of general network management platform, and make the equipment management be more convenient;
- Support device auto reboot function;
- Support double firmware redundancy backup and make the maintenance operation be more safe and reliable;
- Use the wireless multimedia optimization shaping technology, which ensures the stability of the video and flow transmission.

DH-PFM889-I/IM

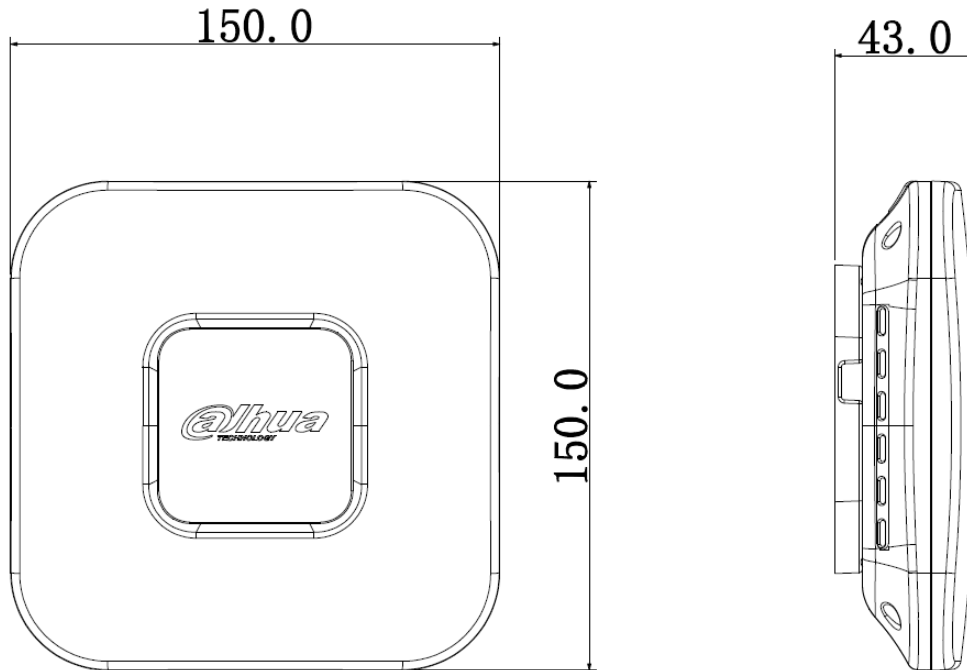
Specifications

Model	DH-PFM889-I	DH-PFM889-IM
Wireless Features		
Wireless Standard	IEEE802.11 b/g/n	IEEE802.11 a/n/ac IEEE802.11 b/g/n
Working Frequency	2412~2472MHz(extended range: 2312~2732MHz)	5G: 5745~5825MHz(extended range: 4920~6100MHz) 2.4G: 2412~2472MHz(extended range: 2312~2732MHz)
Wireless Speed	300Mbps	2.4G: 300Mbps 5G: 867Mbps
Modulation Mode	OFDM	
Antenna	Internal antenna: gain 3dBi	Internal 2.4G antenna: gain 3dBi Internal 5G antenna: gain 3dBi
Output Power	27dBm	
Receiving Sensitivity	11b: -97dBm@ 1Mbps; 11g: -94dBm@6Mbps; 11n: -72dBm@MCS7	11b: -93dBm@ 1Mbps; 11g: -92dBm@6Mbps; 11a: -91dBm@6Mbps; 11n: -74dBm@MCS7 11ac: -67dBm@MCS9
Transmission Distance	150m	
Wireless Direction Angle	Omni-directional	
Hardware		
Power	1*PoE RJ45(IN: 220V, OUT: 48V/0.5A), DC 12V	1*PoE RJ45(IN: 220V, OUT: 48V/0.5A), DC 48V
Power Consumption	Max. 8W	Max. 20W
Ethernet Port	1*LAN RJ45(Gigabit)	
Working Temperature	-30℃~+60℃	
Storage Temperature	-40℃~+80℃	
Working Humidity	5%~95%RH(no condensation)	
Equipment Dimension	150mm×150mm×42mm	
Equipment Weight	0.5Kg	
Protection Level	IP41	
Software		
Encryption Type	WPA-PSK/WPA2/CCMP(AES)/TKIP	
Network Mode	Route/Network Bridge	
Working Mode	Access Point/Client/WDS AP/WDS client	
Security Mechanism	IP/MAC address filtering, hide network name and etc.	
Network Protocol	TCP/UDP/ARP/ICMP/DHCP/HTTP/NTP	
TDMA Enhancement	Support(TDMA eliminate hidden nodes influence and greatly improve one-to-many performance)	

DH-PFM889-I/IM

Auto ACK Timing Adjustment	Support(Auto optimize parameter within long-distance communication and make the performance optimal)	
Management and Log	NTP, Syslog, Telnet, AC, SNMP	
Webpage Configuration Management	Support webpage configuration, AC remote management and SNMP management	
Firmware Update	Support Firmware webpage update and AC remote upgrade	
Bandwidth Flexible Configuration	20/40MHz	20/40/80MHz

Dimension (mm)



DH-PFM889-I/IM

Application Scenarios

- The preferred scenario: hotels, hospitals, offices, buildings, schools, coffee shops and other places of the WIFI coverage.

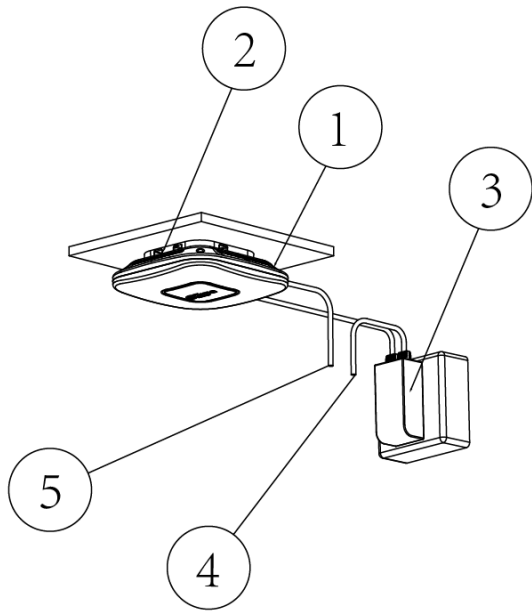
Network Mode

DH-PFM889-I/IM is an indoor ceiling Omni-directional wireless device, which is usually installed on the ceiling of the monitoring area to provide Omni-directional coverage indoors.



DH-PFM889-I/IM

Connection Mode



1. DH-PFM889-I/IM wireless equipment
2. Brackets of equipment
3. PoE power supply
4. Network interface of PoE power supply. Used for connecting camera
5. Network interface of equipment. Used for connecting cameras

Note:

DH-PFM889-I/IM is ceiling installation, please note its installation height.

Dahua Technology Co., Ltd.

1199 BinAn Road, Binjiang District, Hangzhou, China

Tel: +86-571-87688883

Fax: +86-571-87688815

Email: overseas@dahuatech.com

www.dahuasecurity.com

*Design and specifications are subject to change without notice.

© 2016 Dahua Technology Co., Ltd.