

DS-K1T671TM-3XF Face Recognition Terminal



DS-K1T671TM-3XF face recognition terminal is a kind of access control device integrated with temperature screening function. It can fast take temperature and upload abnormal temperature event to the center, which can be widely applied in multiple scenarios, such as enterprises, stations, dwellings, factories, schools, campus and so on. Note that the device is not for medical use.

- Temperature measuring range: 30 °C to 45 °C (86 °F to 113 °F), accuracy: 0.1 ° C, deviation: ± 0.5 ° C
- Recognition distance: 0.3 to 2 m
- Face mask detection
- Displays temperature measurement results on the authentication page
- 7-inch LCD touch screen, 2 Mega pixel wide-angle lens
- Built-in Mifare card reading module
- Face recognition duration < 0.2 s/User
- Face recognition accuracy rate ≥ 99%
- 50,000 face capacity, 50,000 card capacity, and 100,000 event capacity

**COMPLIANCE NOTICE: The thermal series products might be subject to export controls in various countries or regions, including without limitation, the United States, European Union, United Kingdom and/or other member countries of the Wassenaar Arrangement. Please consult your professional legal or compliance expert or local government authorities for any necessary export license requirements if you intend to transfer, export, re-export the thermal series products between different countries.*

▪ Specification

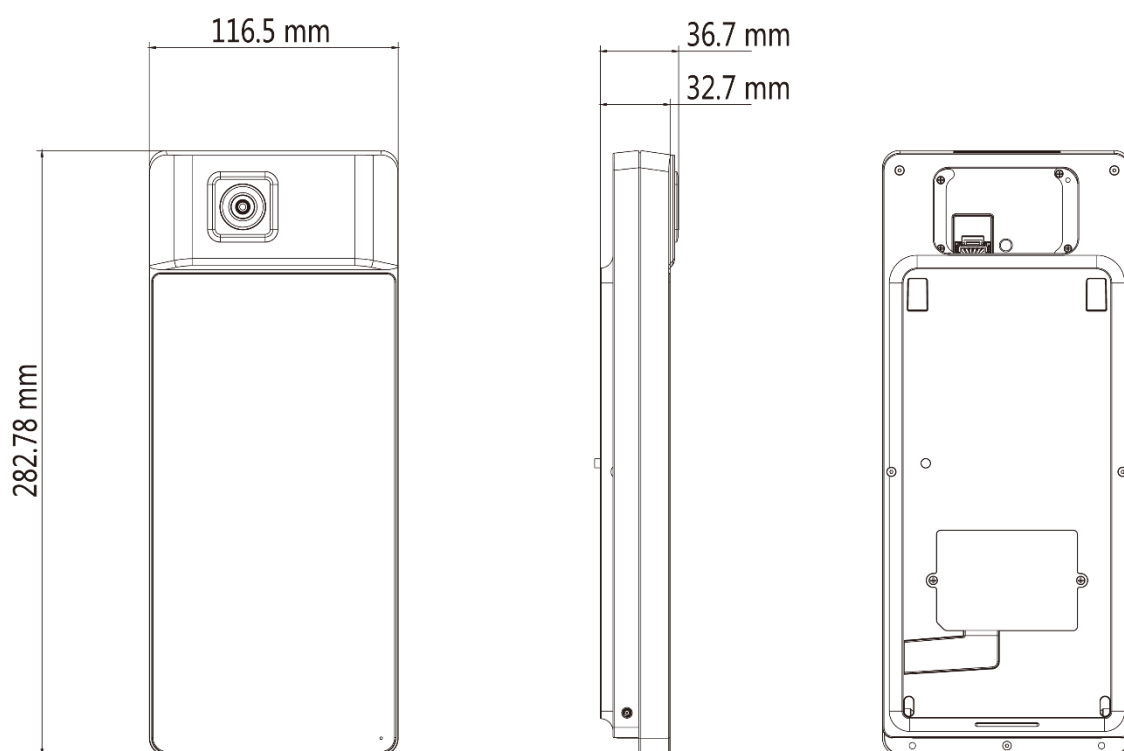
System	
Operating system	Linux
Temperature measurement	
Temperature range	30 °C to 45 °C (86 °F to 113 °F)
Sensor	Vanadium Oxide uncooled sensor
Resolution	120 × 160
Frame rate	25 fps
Measurement accuracy	0.1 °C
Measurement deviation	± 0.5 °C, without black body calibration
Measuring distance	0.3 to 2 m
Display	
Screen size	7-inch
Operation method	Touch screen
Video	
Lens	Dual-lens
Resolution	2 MP
FOV	HFOV= 46°; VFOV=87°
Network	
Wired network	Support, 10/100/1000 Mbps self-adaptive
Wi-Fi	Not support
Interface	
Network interface	1
Lock control	1
Exit button	1
Door contact input	1
Alarm input	2
Alarm output	1
TAMPER	1
RS-485	1
Wiegand	1
USB	2
Capacity	
Face capacity	50,000
Card capacity	50,000
Event capacity	100,000
Function	
Face anti-spoofing	Support
Audio prompt	Support
General	
Power supply	12 VDC/2 A
Working temperature	0 °C to 50 °C (32 °F to 122 °F) For temperature measurement: 10 °C to 35 °C (50 °F to 95 °F)
Working humidity	10 to 90% (No condensing)

Application environment



Indoor and windless environment use only

▪ Available Model

DS-K1T671TM-3XF

▪ Dimension

- Accessory
- Optional

DS-KAB671-B Stand Stick	DS-KAB671-L 儿童版立式支架
	

Headquarters

No.555 Qianmo Road, Binjiang District,
Hangzhou 310051, China
T +86-571-8807-5998
www.hikvision.com



Follow us on social media to get the latest product and solution information.

