

DHI-ARD1731-W2

Wireless PIR-Camera



System Overview

With its built-in 2 MP CMOS image sensor, PIR-Camera captures high-definition snapshots when it detects intrusions, transmitting them to the alarm hub, where they are then sent to the mobile app or alarm center (CMS/ARC) for you to perform visual alarm verification. The camera harnesses 2.4G RF-HD transmission technology to improve the resolution of images and the speed they are transmitted at. Built to keep you safe, the camera actively protects your privacy by only taking snapshots when an intrusion occurs.

Scene

Wireless PIR-Camera is ideal for use in villas, apartments and office buildings.

Technical Specification

Video

Field of View	88° (H);68° (V)
Image Type	JPEG
Resolution	1600 × 1200; 1280 × 960; 640 × 480; 320 × 240
Frame Rate	2
Illumination Mode	Infrared Light
Illumination Range	12 m (39.37 ft)
Day/Night Switch	Color/Black & White

Function

Indicator Light	1 × green alarm indicator
Button	1 × power switch
Remote Update	Cloud update
Low Battery Detection	Yes
Battery Level Display	Yes

- Maximum resolution 1600*1200.
- Based on the RF-HD image transmission technology, transmission of 6 HD images with resolution of 1600*1200 needs up to 10 seconds.
- One-week cloud cache for videos and images.
- Temperature monitoring.
- Offers frequency hopping and two-way communication technology, ensuring the stability of communication.
- Cloud update and automatic recovery from update failure.

Tamper	Tamper alarm
Signal Strength	RF Signal test RF-HD signal test

Technical

Detection Mode	PIR
Sensitivity	3 levels adjustable
Detection Range	12 m (39.37 ft) (86°) with installation height of 2.2 m (7.22 ft)
Detection Speed	0.3 m/s–3 m/s (0.98 ft/s–9.84 ft/s)
Pet Immunity Level	≤18 kg (39.68 lb)
White Light Resistance Level	2000 lux
Two-way Digital Temperature Compensation	Yes
Scenario	Indoor
Operating Current	65 μA
Alarm Current	Day: 170 mA (Avg); 800 mA (Max) Night: 230 mA (Avg); 2.8 A (Max)

Wireless

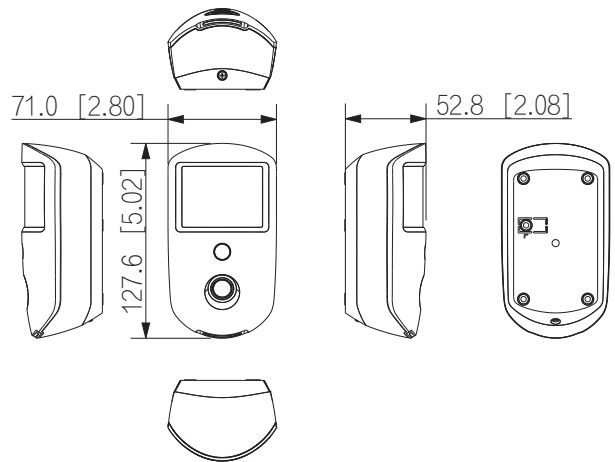
Carrier Frequency	RF:433.1 MHz–434.6 MHz RF-HD:2.4GHz
Communication Distance	RF: Up to 1,200 m (3,937.01 ft) in an open space RF-HD: Up to 300 m (984.25 ft) in an open space
Communication Mechanism	Two-way
Frequency Hopping	Yes
Encryption Mode	AES128

General

Power Supply	CR123A*3
Battery Life	4 years (if triggered twice a week with a battery efficiency of 70%)

Operating Temperature	-10 °C to +55 °C (+14 °F to +131 °F) (indoor)
Operating Humidity	10%–90% (RH)
Product Dimensions	71.0 mm × 53.2 mm × 127.6 mm (2.80" × 2.09" × 5.02")
Packaging Dimensions	121.0 mm × 65.0 mm × 170.0 mm (4.76" × 2.56" × 6.69")
Net Weight	202 g (0.45 lb)
Gross Weight	333 g (0.73 lb)
Installation	Wall mount
Casing	PC + ABS
Certifications	CE; FCC

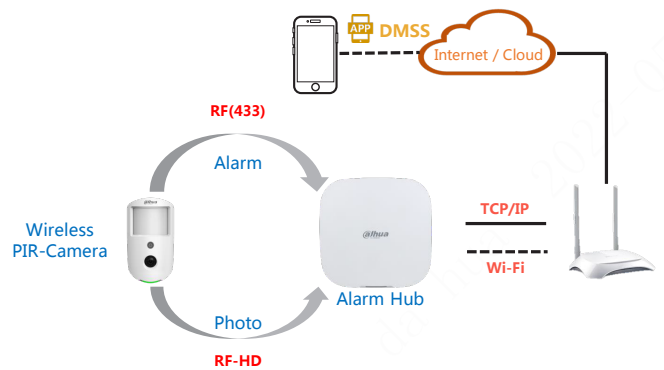
Dimensions (mm[inch])



Ordering Information

Type	Model	Description
Wireless PIR-Camera	DHI-ARD1731-W2	Wireless PIR-Camera

Application



Installation

