

# DHI-KTP05

## Video Intercom KIT



### Technical Specification

DHI-VTH2621GW-WP

#### System

Main Processor	Embedded Processor
Operating System	Embedded Linux OS
Network Protocol	DNS;RTSP;SSH;SIP;RTP

#### Basic

Screen Type	Capacitive Touchscreen
Display Screen	7" TFT
Screen Resolution	1024 (H) × 600 (V)
Audio Compression	G.711a; G.711u; PCM
Audio Input	1
Audio Output	Built-in speaker
Audio Mode	Two-way audio
Audio Enhancement	Echo suppression
Audio Bit Rate	16 kHz;16 bit

#### Function

Communication Mode	Full digital
Information Release	Receive and view text information released by the management center
DND Mode	Do not disturb period can be set;Do not disturb mode can be set

#### VTO

- Keyboard villa door station.
- Supplemental lighting with white light.
- 2MP CMOS camera.
- Mechanical button with Braille.
- Aluminium alloy plate, IK08, IP55.
- Door release via password and Mifare card.

#### VTH

- 7" TFT capacitive touch screen, 1024 × 600.
- 6-channel alarm input and 1-channel alarm output.
- Wi-Fi.
- Standard PoE.
- Supports the outdoor station and IPC monitor.
- H.265 and H.264 video decoding.
- Customize DND mode and the effective period.
- High-performance and cost-effective.

#### Switch

- 4 PoE ports with 10/100 Mbps Base-TX.
- 2 uplink ports with 10/100Mbps Base-TX.
- Supports 250 m long distance PoE transmission.



Number of Extensions	Villa: 9 Apartment: 4
Wi-Fi	Yes
Wireless Standard	IEEE802.11b/802.11g/802.11n
Wireless Frequency Range	2.4 GHz

#### Port

RS-485	1
Alarm Input	6
Alarm Output	1
Door Bell	Yes (use any alarm input port)
Network Port	1 × RJ-45 10/100 Mbps Ethernet port

#### Performance

Casing Material	PC + ABS
-----------------	----------

#### General

Appearance Color	White
------------------	-------

Power Supply	12 VDC, 1 A Standard PoE
Power Adapter	Not included
Installation	Surface Mount
Certifications	CE;FCC
Accessory	Bracket and alarm ribbon cable (included)
Product Dimensions	189.6 mm × 134.6 mm × 26.0 mm (7.50" × 5.30" × 1.00")
Operating Temperature	-10 °C to +55 °C (+14 °F to 131 °F)
Operating Humidity	10%–95% (RH), non-condensing
Operating Altitude	Beneath 3,000 m (9,842.52 ft)
Power Consumption	Standby ≤ 2 W; working ≤ 6 W
Gross Weight	575 g (1.27 lb)

DHI-VTO3221E-P

System

Main Processor	Embedded Processor
Button Type	Mechanical

Basic

Camera	1/2.9" 2MP CMOS
Field of View	H:138°,V:78°, D:158°
Video Compression	H.264
Light Compensation	Auto white light
Audio Compression	G.711
Audio Input	Omnidirectional Mic
Audio Output	Built-in Speaker
Audio Mode	Two-way audio

Function

Unlock Mode	Password;Card
Card Type	Mifare Card

Performance

Casing Material	Aluminum
-----------------	----------

Port

RS-485	1
Wiegand	1
Alarm Input	1
Alarm Output	1
Door Bell	1
Exit Button	1
Door Status Detection	1

Lock Control	1
Network Port	RJ-45

Alarm

Tamper Alarm	Yes
--------------	-----

General

Power Supply	DC 12V, 2A, PoE(802.3af)
Power Adapter	Optional
Installation	Flush Mount; Surface Mount
Product Dimensions	200 mm × 98 mm × 32 mm
Protection	IP55, IK08
Operating Temperature	-40 °C to +60 °C (-40 °F to +140 °F)
Gross Weight	1.5 Kg
Operating Humidity	10%–95% (RH, non-condensing)
Operating Altitude	Beneath 3,000 m (9,842.52 ft)

DH-PFS3006-4ET-36

Hardware

Data Transmission Port	4 PoE ports with 10/100 Mbps Base-TX 2 uplink ports with 10/100Mbps Base-TX
Power Supply	AC100–AC240V
Operating Temperature	-10°C to +55°C (-14°F to 131°F)
Operating Humidity	10%–90%
Power Consumption	Idling: 0.5W Full load: 36W

PoE

PoE Budget	Port1-4 ≤30W, whole PoE budget ≤36W
PoE Standard	IEEE802.3af, IEEE802.3at
PoE Pin Assignment	PoE: 1, 2, 4, 5(V+), 3, 6, 7, 8(V-)

Performance

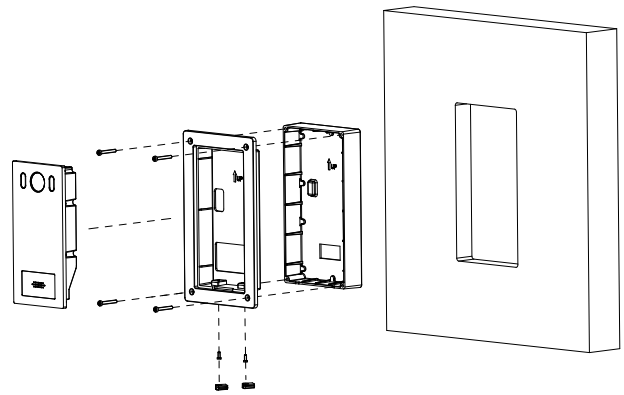
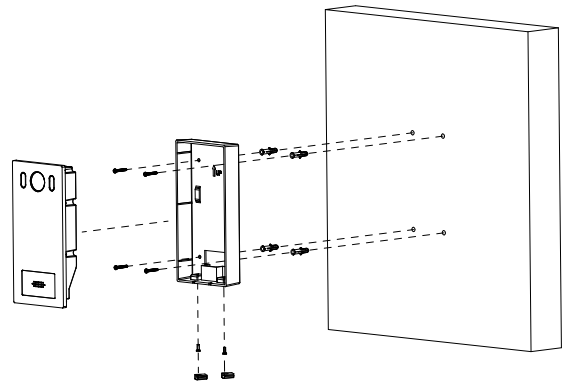
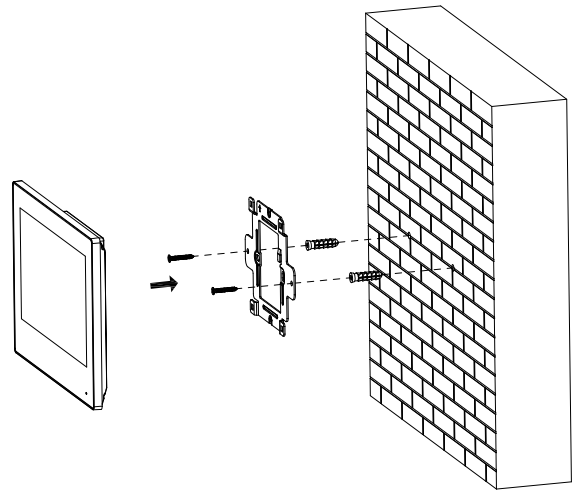
Switching Capacity	1.2 Gbps
Packet Forwarding Rate	0.89 Mpps
MAC Table Size	2 K
Jumbo Frame	2048 byte
Communication Standard	IEEE 802.3, IEEE 802.3u, IEEE 802.3X

Performance

ESD	Air discharge: 8kV Contact discharge: 6kV
Thunderproof	Common mode: 6kV Differential mode: 4kV
Net Weight	0.56 kg (1.23 lb)
Gross Weight	1.11 kg (2.15 lb)

Product Dimensions (W x L x H)	194.0 mm x 108.1 mm x 35.0 mm (7.64" x 4.26" x 1.38")
Certifications	CE: EN60950; FCC

**Installation**



**Relevant Products**

DHI-KTP05(S)



DHI-VTH2621GW-WP



DH-PFS3006-4ET-36



DHI-VTO3221E-P



VTM08R (Surface mounted)

DHI-KTP05(F)



DHI-VTH2621GW-WP



DH-PFS3006-4ET-36



DHI-VTO3221E-P

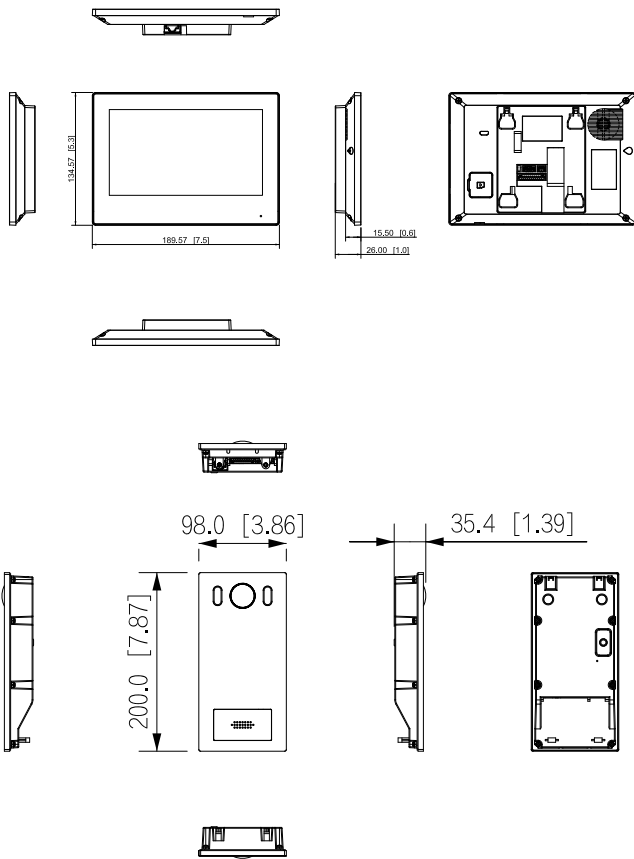


VTM116  
(Flush mounted, Front)



VTM116  
(Flush mounted, Back)

Dimensions (mm[inch])



Application

