

# DHI-ASI6214J-MFW

## Face Recognition Access Controller



- 4.3-inch LCD touch screen; resolution 480 × 272
- 2MP wide-angle dual lens camera; support DWDR, white light fill light and IR fill light
- Support face, card, password, fingerprint unlock and unlock through their combinations; support unlock by period
- User data can be stored at the access controller; can hold 6000 face images and work without network
- Face-camera distance: 0.3 m-1.5 m
- Face verification accuracy 99.5%; face comparison speed 0.3s per person; low false recognition rate; support liveness detection

### Technical Specification

#### System

Main Processor	Embedded Processor
Internet Protocol	IPv4; RTSP; RTP; TCP; UDP; P2P
OSDP Protocol	Support
Interoperability	CGI
SDK	Support

#### Basic

Display	4.3 inch TFT screen
Screen Type	Capacitive touch screen
Screen Resolution	480 × 272
Camera	2 MP CMOS high definition camera
WDR	DWDR
Light Compensation	Auto white light Auto IR light
Voice Prompt	Support
Casing	PC Metal rear case

#### Function

Unlock Mode	Card/Password/Fingerprint/Face unlock and unlock through their combinations
-------------	---

Card Reading Type	IC card
Period List	128
Holiday Period	128
First-Card Unlock	Support
Remote Verification	Support
Peripheral Card Reader	1 RS-485 1 Wiegand
Multiple User Unlock	Support
Real-Time Surveillance	Support
Web Configuration	Support

#### Performance

Face Recognition Height	0.9 m-2.4 m
Face Recognition Distance	0.3 m-1.5 m
Face Verification Accuracy	99.50%
Fingerprint Sensor Type	Capacitive
Fingerprint Verification Mode	1:N
Fingerprint Comparison Time	1.0 s
Fingerprint Recognition Time	0.5 s

#### Capacity

User Capacity	6,000
---------------	-------

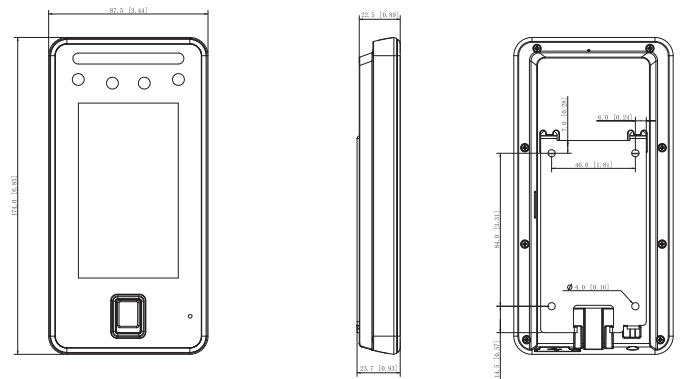
Face Image Capacity	6,000
Fingerprint Capacity	6,000
Card Capacity	6,000
Password Capacity	6,000
Record Capacity	150,000

<b>Port</b>	
RS-485	1
Wiegand	1
USB	1 × USB2.0 port
Network	1 × RJ-45, 10/100 Mbps self-adaption
Alarm Input	1
Alarm Linkage	Support
Exit Button	1
Door Status Detection	1
Lock Control	1

<b>Alarm</b>	
Anti-Passback	Support
Tamper	Support
Duress	Support
Door Sensor Timeout	Support
Intrusion	Support
Illegal Card Exceeding Threshold	Support
Duress Fingerprint	Support

<b>General</b>	
Power Supply Mode	12V DC; 2A
Protection Grade	IP65 (Apply silica gel to gaps between the device and the wall. Liquid sodium silicate is recommended. For details, see the quick startguide.)
Power Consumption	≤ 24W
Product Dimensions	174.0 mm × 87.5 mm × 22.5 mm (6.85" × 3.44" × 0.88" ) (H × W × D)
Working Temperature	-30°C to 60°C (-22°F to 140°F)
Working Humidity	5%RH-95%RH (non-condensing)
Working Environment	Indoor Outdoor
Gross Weight	0.78 kg (1.72 lb)
Accessory	Bracket (provided)
Installation Method	Surface mount
Certification	CE FCC

## Dimensions (mm[inch])



## Application

