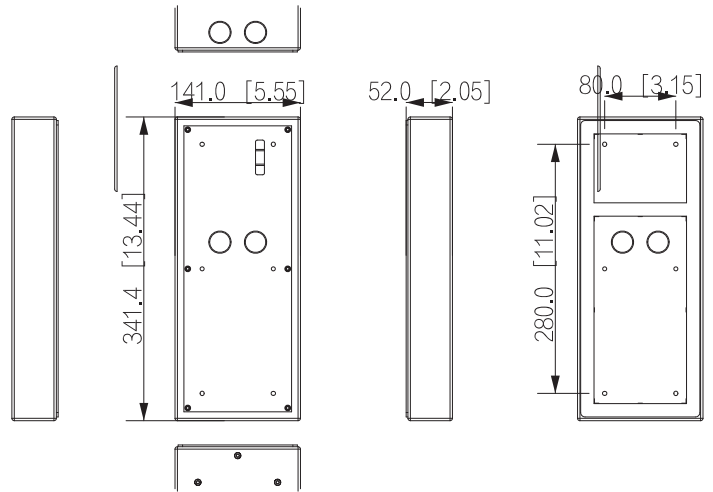


# VTM53R3/VTM27R3

Rain Cover



## Dimensions (mm[inch])

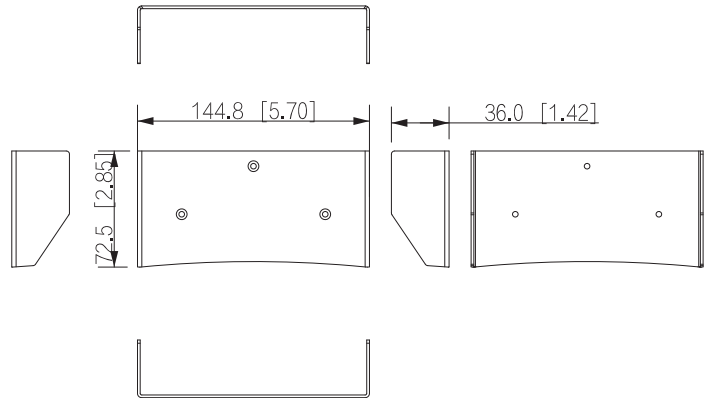


## Series Overview

The rain cover is intended to improve the device's service life by protecting it from sunlight and rain.

## Technical Specification

Casing	AL 5052
Appearance	Silver/Black
Installation	Surface mount
Gross Weight	0.83 kg (1.83 lb)



## Ordering Information

Type	Model	Description
Rain Cover	VTM53R3/VTM27R3	Rain cover for one 3-module VTO4202F/FB