

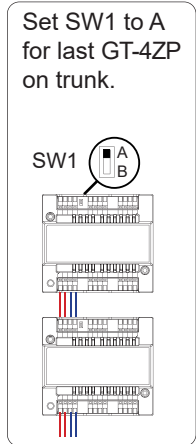
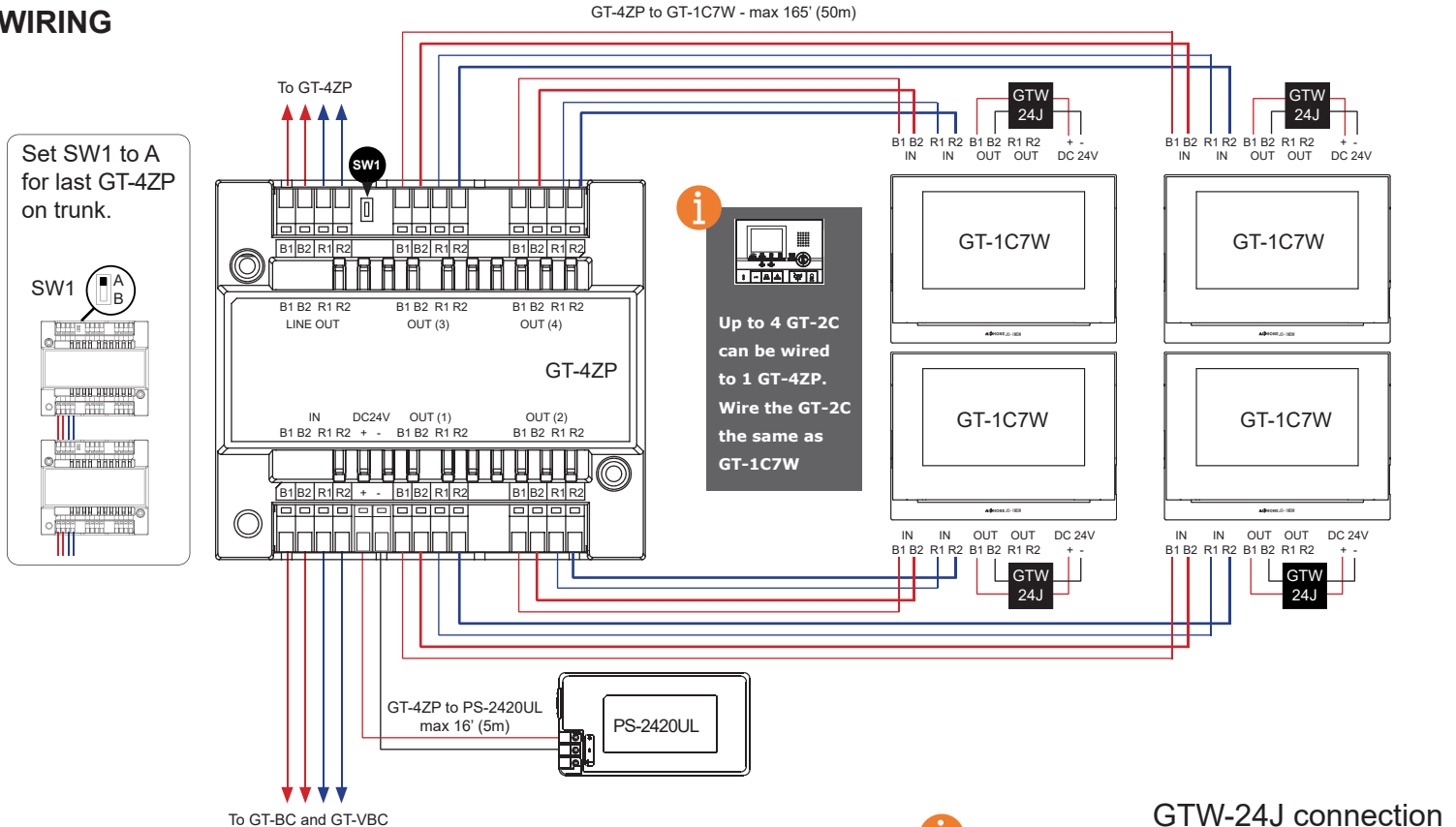
GT-4ZP

4-Way Video & Power Distribution Adaptor (1 PS-2420UL required per GT-4ZP)

-INSTRUCTIONS-

The GT-4ZP allows one PS-2420UL to power up four GT-1C7W app-enabled tenant stations. The GT-4ZP replaces existing GT-4Z adaptors in a standard GT system, and requires 1 PS-2420UL per GT-4ZP. Each GT-4ZP includes 4 power jumpers (GTW-24J) that are to be installed on the GT-1C7W between the B1/B2 and +/- terminals, which provides power to the GT-1C7W without having to install a local PS-2420UL for each tenant station.

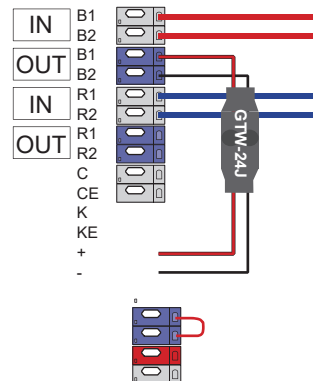
WIRING



i Up to 4 GT-2C can be wired to 1 GT-4ZP. Wire the GT-2C the same as GT-1C7W

i B1/B2 are polarized. It is important to maintain that polarity or the equipment could be damaged. B1 is positive, and B2 is negative.

GTW-24J connection on each GT-1C7W



SPECIFICATIONS

- Power: 24V DC (One PS-2420UL per GT-4ZP)
- Mounting: W-DIN11 (not included)
- Contents: 1x GT-4ZP, 4x GTW-24J
- Dimensions: 4-1/4" H x 4-13/16" W x 2-3/8" D
- Temperature: 32-104° F (0-40° C)

These instructions only include information on the installation of the GT-4ZP. Please see the GT Installation Manual for complete system information.