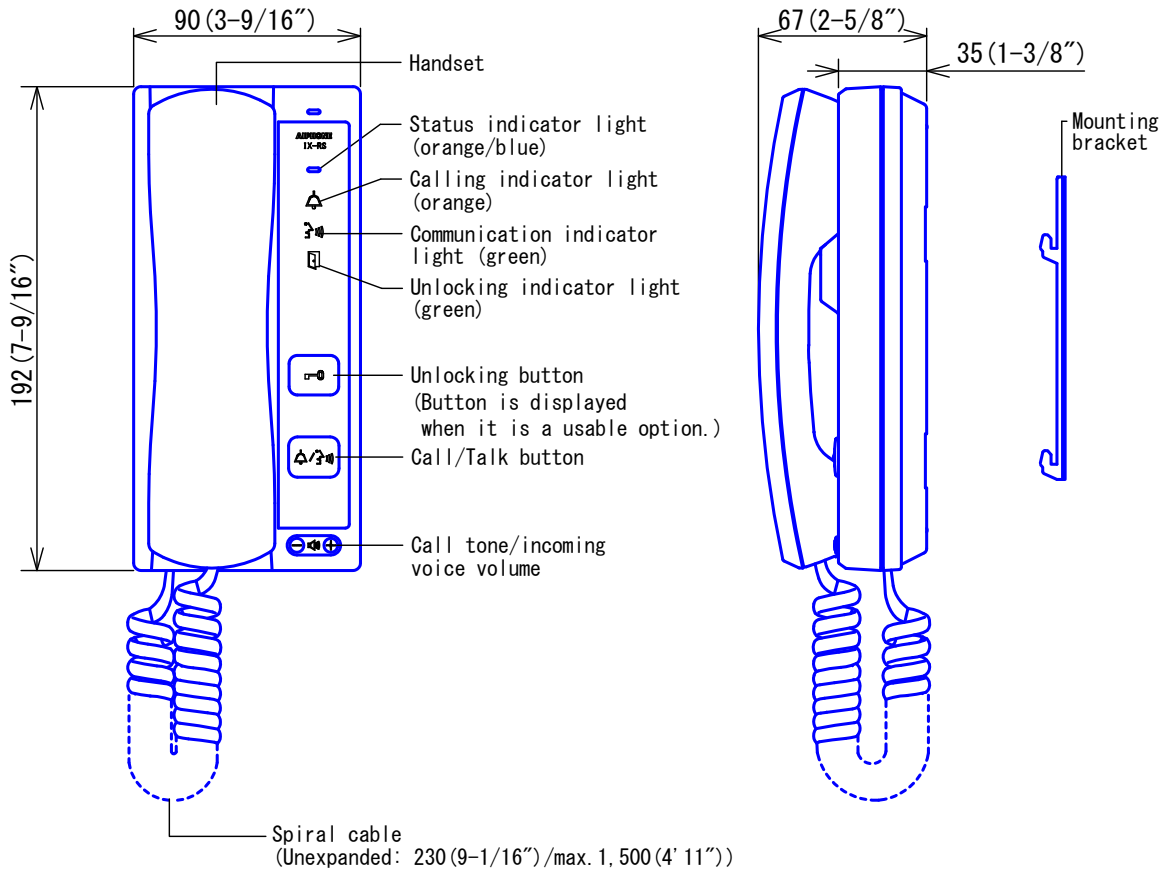


CAUTION: This is a preliminary specification sheet. All information subject to change without notice.

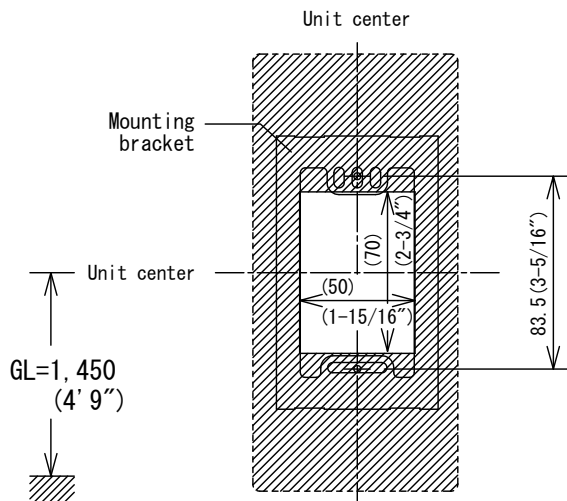
■ PRODUCT DRAWING



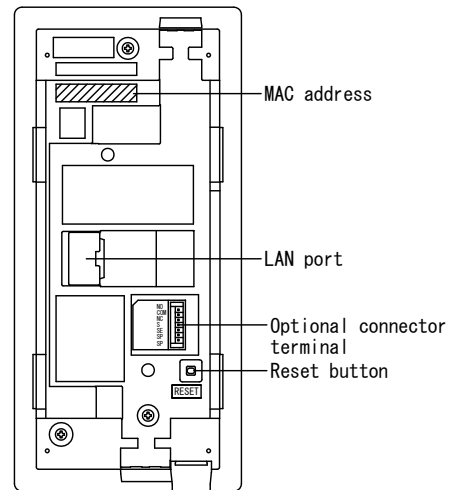
■ SPECIFICATIONS

Power source	Power-over-Ethernet (IEEE 802.3af Class 0)		
Current consumption	Standby 38mA, maximum 75mA		
Type of communication	Hands-free: Automatic voice switching/PTT Handset: Full-duplex		
LAN	Ethernet (10BASE-T, 100BASE-TX)		
Audio codec	G. 711 (μ-law, A-law), G. 722		
Protocol	IPv4, IPv6, TCP, UDP, SIP, HTTP, HTTPS, RTSP, RTP, RTCP, IGMP, MLD, SMTP, FTP, DHCP, NTP, DNS		
Encryption method	TLS1.0, TLS1.1, TLS1.2		
Packet delivery	Unicast, Multicast		
Number of called stations	20 stations		
Ambient temperature	0~40°C (32 ~104° F)		
Mounting	Wall-mount		
Electrical box	1-gang box		
Material	Fire-retardant ABS resin		
Unit Color	Flat black (N2 Munsell Approximation)		
Weight	520g (approx.) (1.15 lbs)		
DESCRIPTION HANDSET SUB STATION	FIG. NAME PRODUCT/SPECIFICATIONS	UNIT mm	DATE 31 October, 2017
MODEL NO. IX-RS-B	FIG. NO. IX-RS-B-1-4	PAGE 1/4	REVISION 1
			AIPHONE

● MOUNTING



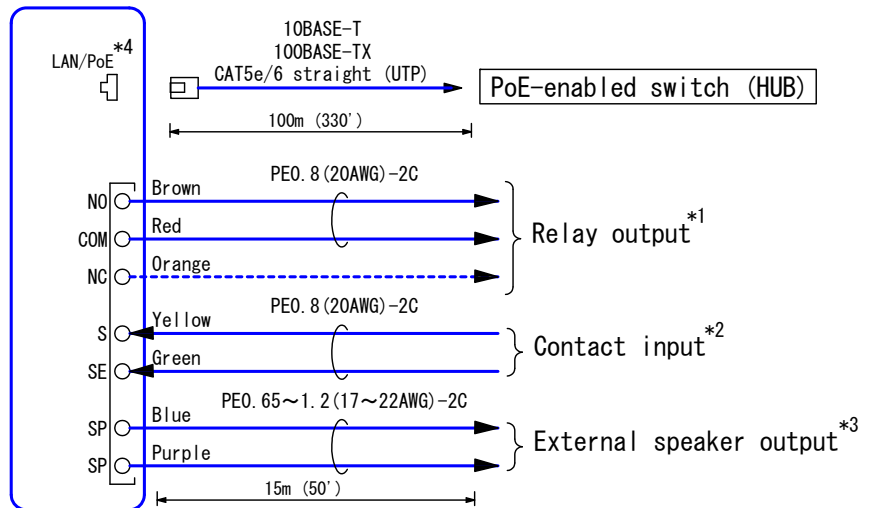
<Back view>



(): Opening cut out on the wall

■ WIRING DIAGRAM

Handset sub station
IX-RS-B



*1. Relay Output Specifications

Output system	Form C dry contact (N/O or N/C)
Voltage between terminals	24V AC, 1A (resistive load) 24V DC, 1A (resistive load) Minimum overload (AC/DC): 100mV, 0.1mA

*3. External speaker output

Output impedance	8Ω
Max output	2W

*4. IEEE802.3af

*2. Contact Input Specifications

Input method	Form C dry contact (N/O or N/C)
	Level detection method
Detection time	100msec or more
Contact resistance	Make: 700Ω or less Break: 3kΩ or more
Terminal short-circuit current	10mA or less
Voltage between terminals	5V DC or less (between open terminals)

DESCRIPTION HANDSET SUB STATION	FIG. NAME PRODUCT/WIRING DIAGRAM	UNIT mm	DATE 31 October, 2017
MODEL NO. IX-RS-B	FIG. NO. IX-RS-B-2-4	PAGE 2/4	REVISION 1

AIPHONE

■ RESTRICTIONS

- A PoE-compatible switch must be used as the switch (hub) for station connection.
- A computer is required to make system settings.
IX system can be configured in one of the two methods, "IX Support Tool" application or Web browser. Once the system has been configured through a browser, the settings cannot be transferred to IX Support Tool. The IX Support Tool is recommended for system settings management.
- While updating the System settings, stations unavailable.

■ RESTRICTIONS ABOUT THE NETWORK

- Connection cannot be made over the Internet (global IP network).
- We do not recommend using a wireless LAN as it may not operate correctly due to security issues or communication speed delays.
- The procedures used for making network settings differ depending on the availability of automatic IP address assignment through DHCP or stateless automatic setup.
- For IPv4 Address with DHCP, due to the architecture of the IX system, DHCP configuration is only recommended for network environments utilizing managed (static) IP address leasing.
- For stateless IPv6 Address, do not change the prefix of the device so that it cannot transmit Router Advertisement (RA).
- For IPv6 Address with DHCP, due to the architecture of the IX system, DHCP configuration is only recommended for network environments utilizing managed (static) IP address leasing.
The DUID of the device: 00030001 + MAC address
- Depending on the network environment and computer, prior arrangements and setup operations involving the network administrator might be necessary.
- Download the Settings data and store it at a safe location. Otherwise, it may become impossible to restore the settings after fixing a failure.
Make sure not to use duplicate file names when saving data.
- Depending on the network environment, operation delays might occur.
- Some time might be required for paging over a network.
- Depending on the network environment or other factors, audio dropout, delays, or other loss of correct operation might occur.
- The protocols used by this system must be supported.
IPv4, IPv6, TCP, UDP, SIP, HTTP, HTTPS, RTSP, RTP, RTCP, IGMP, MLD, SMTP, FTP, DHCP, NTP, DNS
- The network bandwidth required by each device when communicating are as follows.
G. 711 - G. 722 : 64kbps x 2 (in communication), 64kbps x stations (on page)
- IPv4 and IPv6 cannot be mixed in the same system.
- When using multicasting for web-setup network-camera searches, audio, use in an environment that does not reject IGMPv3 or MLDv2.

DESCRIPTION HANDSET SUB STATION	FIG. NAME RESTRICTIONS	UNIT mm	DATE 31 October, 2017
MODEL NO. IX-RS-B	FIG. NO. IX-RS-B-3-4	PAGE 3/4	REVISION 1
			AIPHONE

■ FUNCTIONS

- Calling
 - Group Call: Make an outgoing call to all stations that belong to the selected group.
 - Contact input call: Make an outgoing call to all stations that belong to the selected Contact input call group.
- Paging
 - Receive a page
- Others
 - Unlock a door: Unlock an electric lock while receiving an incoming call, during communication.
 - Send e-mails: E-mails can be sent to pre-registered e-mail addresses when triggering events occur.
- Indicators

Name	Status	Description
Status indicator	Orange flashing	Booting
		Device error
		Communication failure
		Firmware version upgrading
		Initializing
	Blue light	In communication, normal operation
	Blue flashing	Call destination busy
		Incoming call
		Incoming paging
		Station monitored
Call indicator	Green flashing	Outgoing calling
Communication indicator	Orange light	In communication
Unlocking indicator	Green flashing	Door releasing

DESCRIPTION HANDSET SUB STATION	FIG. NAME FUNCTIONS	UNIT mm	DATE 31 October, 2017
MODEL NO. IX-RS-B	FIG. NO. IX-RS-B-4-4	PAGE 4/4	REVISION 1
			AIPHONE