

Outdoor Security Wi-Fi Camera

2K
QHD

Tapo C320WS

 Starlight Color Night Vision

Person/Vehicle
Detection

Local microSD Storage
(Up to 512 GB)*

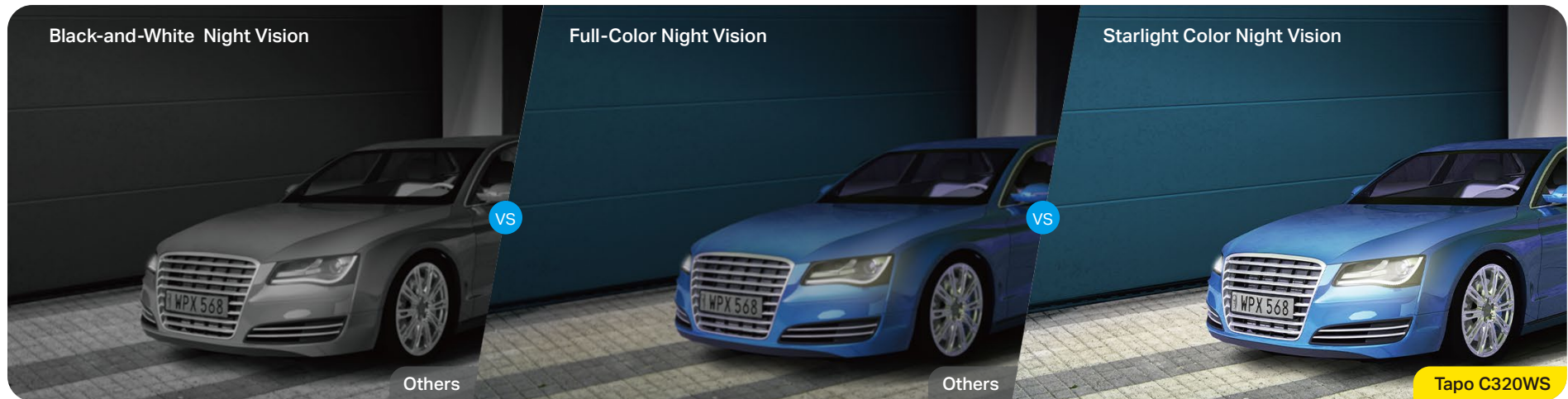
IP66
Weatherproof



// Highlights

Starlight Color Night Vision Protects You Day and Night.

Equipped with an F1.6 large-aperture lens and starlight sensor, Tapo C320WS enhances your security by revealing highly-detailed and bright-color images even under low-light conditions.



// Features



2K QHD Live View^Δ

Now with 1.7 × more pixels than 1080p, providing clearer videos and more crisp photos.



IP66 Weatherproof

Helps Tapo C320WS perform well even in harsh environments with rain and dust.



Dual Powerful Antennas

Provides wider Wi-Fi coverage and more stable wireless connection with dual external antennas.



Person/Vehicle Detection

Smart AI identifies people and vehicles, notifying users as needed.



Activity Zones

Set up activity zones to only receive alerts that matter.



Sound and Light Alarm

Triggers sound and light effects to frighten away unwanted visitors.



Local[†] & Cloud[‡] Storage

Save recorded videos to a microSD card (up to 512GB)[†] or by using Tapo Care[‡] cloud storage services.



Wired/Wireless Networking

Connect the camera to your network through Ethernet or Wi-Fi for more flexible installation.



Two-Way Audio

Enables communication through a built-in microphone and speaker.

[†]microSD card needs to be purchased separately.

^ΔCompatible with Alexa and Google Assistant supported displays. User experience is dependent on the connected device's specifications.

[‡]Subscribe for cloud storage at <https://www.tapo.com/tapocare/>

// Specifications

Camera

- Image Sensor: 1/3"
- Resolution: 2K QHD 4MP (2560 × 1440 px)
- Night Vision: 850 nm IR LED (up to 98 ft), Starlight Color Night Vision
- Lens: F/NO: 1.61±10%; Focal Length: 3.18mm±5%

Audio

- Audio Communication: 2-way audio
- Audio Input & Output: Built-in microphone and speaker

Video

- Video Compression: H.264
- Frame Rate: 15fps
- Video Streaming: 2560 × 1440 px

Activity Notifications

- Input Trigger: Motion Detection, Person Detection, Vehicle Detection, Linecrossing Detection, Intrusion Detection, Tamper Detection
- Output Notification: Push Notification, Snapshot (Tapo Care), Clips (Tapo Care)

Network

- Wireless Protocols: IEEE 802.11b/g/n, 2.4 GHz, 2T2R
- Frequency: 2.4 GHz
- Wireless Security: WEP, WPA/WPA2-PSK
- Security: 128 bit AES encryption with SSL/TLS
- Protocol: TCP/IP, DHCP, ARP, ICMP, DNS, NTP, HTTP, HTTPS, UDP, ONVIF, RTSP

// Specifications

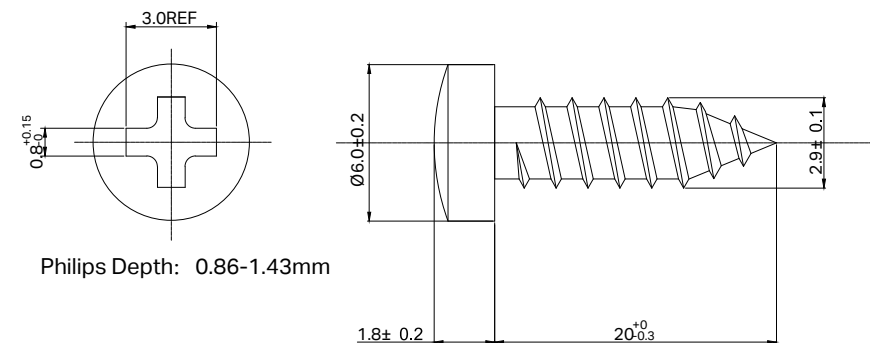
Hardware

- Port: Ethernet through RJ45 Port
- Button: RESET button
- LED: System LED
- Adapter Input: 100-240 V, 50/60 Hz, 0.3 A
- Adapter Output: 9.0 V, 0.6 A (DC Power)
- Typical Power Consumption: 5 W
- Maximum Power Consumption: 5.4 W
- External Storage: microSD card slot (Supports up to 512GB)
- Dimensions (W x D x H): 5.6*4.1*2.5 in. (142.3*103.4*64.3 mm)
- Weatherproof Rating: IP66
- Power Cord Length: 3 m

Others

- Certification: CE, RCM, RoHS, NCC, BSMI
- Package Contents:

Tapo C320WS Camera × 1	Mounting Template × 1
Power Adapter × 1	Waterproof Cable Attachments × 1
Waterproof Seal × 1	Quick Start Guide
Mounting Anchors × 3	
Mounting Screws × 3	

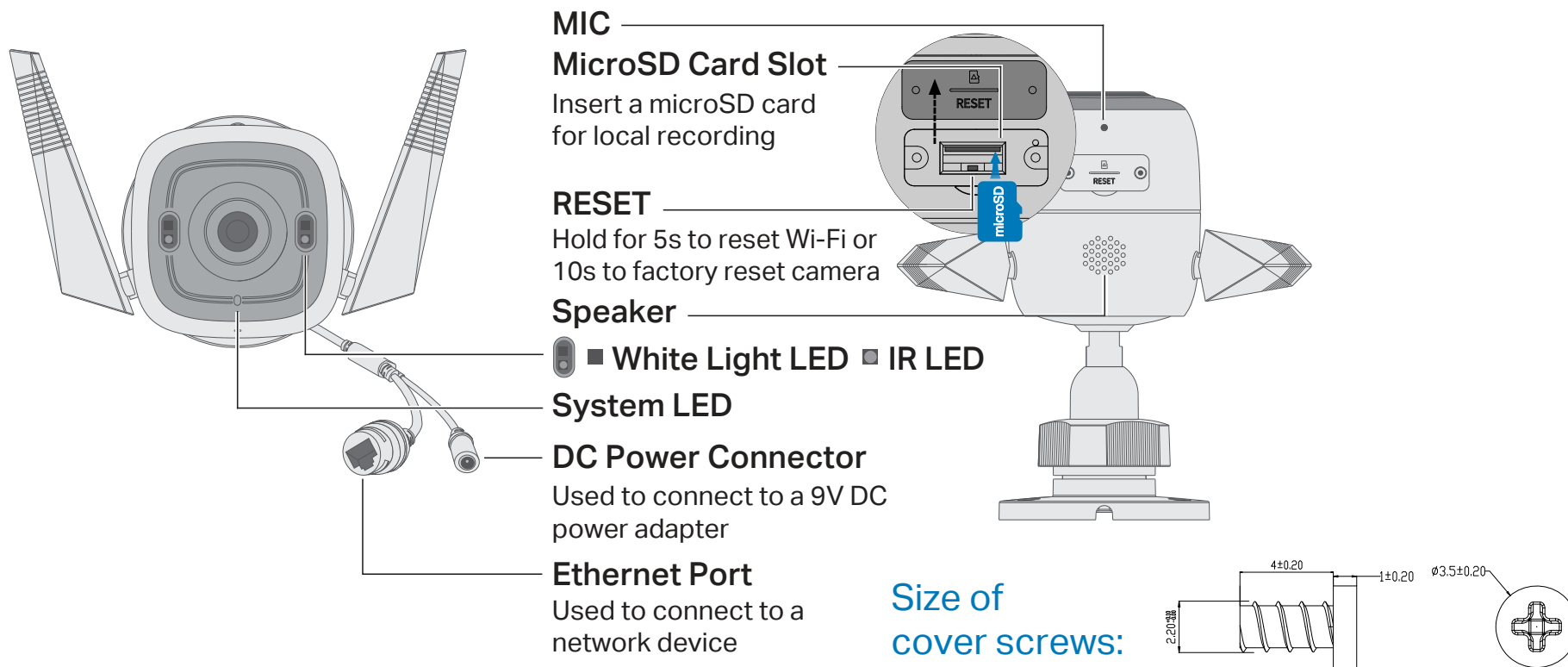


- Operating Temperature: -20 °C ~ 45 °C (-4°F ~ 113°F)
- Operating Humidity: 10%~90%RH, Non-condensing

// Appearance

Front Panel

Bottom Panel



For more information, please visit <https://www.tapo.com/>
 All brands and product names are trademarks or registered trademarks of their respective holders. Specifications are subject to change without notice.
 ©2023 TP-Link