

# 4MP HD IR VF Eyeball Network Camera

IPC3634LB-ADZK-H



## Key Features



- High quality image with 4MP, 1/3"CMOS sensor
- 4MP (2688\*1520) @25/20fps; 4MP (2560\*1440) @25/20fps; 3MP (2304\*1296) @30/25fps; 2MP (1920\*1080) @30/25fps;
- Ultra 265, H.265, H.264, MJPEG
- 120dB true WDR technology enables clear image in strong light scene
- Support 9:16 Corridor Mode
- Smart IR, up to 40m (131ft) IR distance
- Supports 256 G Micro SD card
- IP67 protection
- Support PoE power supply
- 3-Axis

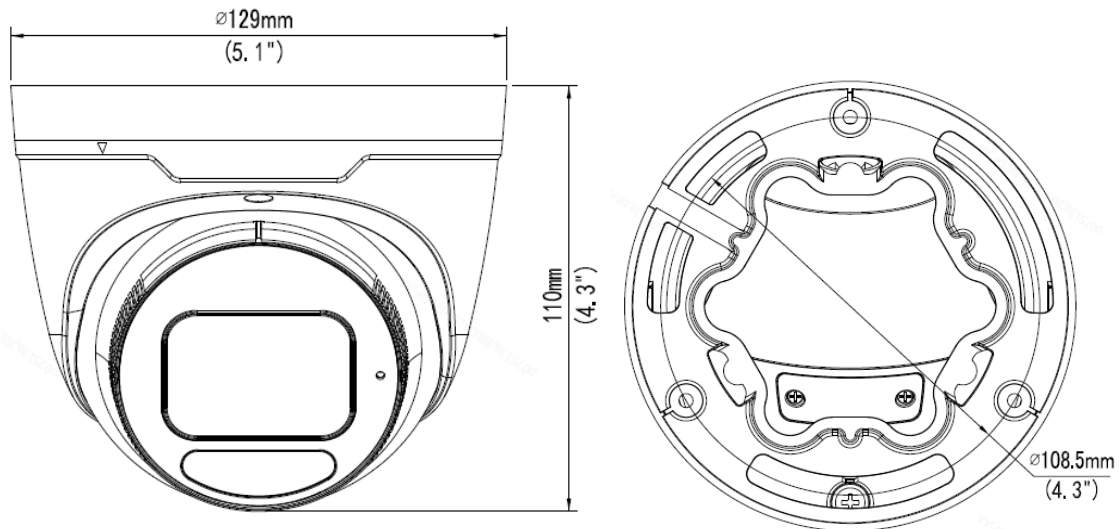
## Specifications

|                         |   |                |                |                   |              |
|-------------------------|---|----------------|----------------|-------------------|--------------|
|                         | IPC3634LB-ADZK-H  |                |                |                   |              |
| <b>Camera</b>           |   |                |                |                   |              |
| Sensor                  | 1/3", 4.0 megapixel, progressive scan, CMOS   |                |                |                   |              |
| Minimum Illumination    | Colour: 0.003 lux (F1.6, AGC ON)<br>0 lux with IR on  |                |                |                   |              |
| Day/Night               | IR-cut filter with auto switch (ICR)  |                |                |                   |              |
| Shutter                 | Auto/Manual, shutter time: 1 ~ 1/100000s  |                |                |                   |              |
| Adjustment angle        | Pan: 0° ~ 360°  | Tilt: 0° ~ 75° |                | Rotate: 0° ~ 360° |              |
| WDR                     | 120dB   |                |                |                   |              |
| S/N                     | >52 dB  |                |                |                   |              |
| <b>Lens</b>             |   |                |                |                   |              |
| Lens                    | 2.8 ~ 12mm, AF automatic focusing and motorized zoom lens   |                |                |                   |              |
| Iris                    | Fixed   |                |                |                   |              |
| Field of View (H)       | 86.3° ~35.2°  |                |                |                   |              |
| Field of View (V)       | 47.1° ~17.0°  |                |                |                   |              |
| Field of View (D)       | 91.9° ~38.6°  |                |                |                   |              |
| <b>DORI</b>             |   |                |                |                   |              |
| DORI Distance           | Lens (mm)   | Detect (m)     | Observe (m)    | Recognize (m)     | Identify (m) |
|                         | 2.8   | 63(206.7ft)    | 25.2(82.7ft)   | 12.6(41.3ft)      | 6.3(20.7ft)  |
|                         | 12  | 270.0(885.8ft) | 108.0(354.3ft) | 54.0(177.2ft)     | 27.0(88.6ft) |
| <b>Illuminator</b>      |   |                |                |                   |              |
| IR Range                | Up to 40m (131ft) IR range  |                |                |                   |              |
| Wavelength              | 850nm   |                |                |                   |              |
| IR On/Off Control       | Auto/Manual   |                |                |                   |              |
| <b>Video</b>            |   |                |                |                   |              |
| Video Compression       | Ultra 265, H.265, H.264, MJPEG  |                |                |                   |              |
| H.264 code profile      | Baseline profile, Main profile, High profile  |                |                |                   |              |
| Frame Rate              | Main Stream: 4MP (2688*1520), Max 25fps;4MP (2560*1440), Max 25fps; 3MP (2304*1296), Max 30fps; 1080P (1920*1080), Max 30fps; 720P(1280*720), Max 30fps;<br>Sub Stream: 720P (1280*720), Max 30fps; D1 (720*576), Max 30fps; 640*360,Max 30fps; |                |                |                   |              |
| Video Bit Rate          | 128 Kbps~6 Mbps   |                |                |                   |              |
| U-code                  | Support   |                |                |                   |              |
| OSD                     | Up to 4 OSDs  |                |                |                   |              |
| Privacy Mask            | Up to 4 areas   |                |                |                   |              |
| ROI                     | Up to 8 areas   |                |                |                   |              |
| Video Stream            | Dual streams  |                |                |                   |              |
| <b>Image</b>            |   |                |                |                   |              |
| White Balance           | Auto/Outdoor/Fine Tune/Sodium Lamp/Locked/Auto2   |                |                |                   |              |
| Digital Noise Reduction | 2D/3D DNR   |                |                |                   |              |
| Smart IR                | Support   |                |                |                   |              |

|                        |  |
|------------------------|--|
| Flip                   | Normal/Vertical/Horizontal/180°/90°Clockwise/90°Anti-clockwise   |
| Dewarping              | N/A  |
| HLC                    | Support  |
| BLC                    | Support  |
| Defog                  | Digital Defog  |
| <b>Events</b>          |  |
| Basic Detection        | Cross line, intrusion(based on human body detection), Motion detection, Ultra motion detection, Tampering alarm, Audio Detection   |
| General Function       | Watermark, IP Address Filtering, Access Policy, ARP Protection, RTSP Authentication, User Authentication, HTTP authentication  |
| <b>Audio</b>           |  |
| Audio Compression      | G.711U, G.711A   |
| Audio Bitrate          | 64 Kbps  |
| Two-way Audio          | N/A  |
| Suppression            | Support  |
| Sampling Rate          | 8KHZ   |
| <b>Storage</b>         |  |
| Edge Storage           | Micro SD, up to 256GB  |
| Network Storage        | ANR, NAS(NFS)  |
| <b>Network</b>         |  |
| Protocols              | IPv4, IPv6 ,IGMP, ICMP, ARP, TCP, UDP, DHCP, RTP, RTSP, RTCP, DNS, DDNS, NTP, FTP, UPnP, HTTP, HTTPS, SMTP, SNMP, QoS, RTMP,SSL/TLS  |
| Compatible Integration | ONVIF (Profile S, Profile G, Profile T), API,SDK   |
| User/Host              | Up to 32 users. 2 user levels: administrator and common user   |
| Security               | Password protection, Strong password, HTTPS encryption, Export operation logs, Basic and digest authentication for RTSP, Digest authentication for HTTP, TLS 1.2, WSSE and digest authentication for ONVIF |
| Client                 | EZStation<br>EZView<br>EZLive  |
| Web Browser            | Plug-in required live view: IE 10 and above, Chrome 45 and above, Firefox 52 and above, Edge 79 and above  |
|                        | Plug-in free live view: Chrome 57.0 and above, Firefox 58.0 and above, Edge 16 and above   |
| <b>Interface</b>       |  |
| Audio I/O              | N/A  |
| Alarm I/O              | N/A  |
| RS485                  | N/A  |
| Built-in Mic           | Support  |
| Built-in Speaker       | N/A  |
| WIFI                   | N/A  |
| Network                | 1 * RJ45 10M/100M Base-TX Ethernet   |
| Video Output           | N/A  |
| <b>Certifications</b>  |  |
| EMC                    | CE-EMC (EN 55032,EN 61000-3-3,EN IEC 61000-3-2,EN 55035)<br>FCC (FCC 47 CFR part15 B)  |
| Safety                 | CE LVD (EN 62368-1)<br>CB (IEC 62368-1)<br>UL/CUL (UL 62368-1, CAN/CSA C22.2 No. 62368-1)  |

|                     |  |
|---------------------|--|
| Environment         | CE-RoHS (2011/65/EU;(EU)2015/863); WEEE (2012/19/EU)             |
| Protection          | IP67 (IEC 60529)   |
| <b>General</b>      |  |
| Power               | DC 12V±25%, PoE (IEEE 802.3af)                                   |
|                     | Power consumption: Max 7.5W                                      |
| Power Interface     | Ø 5.5mm coaxial power plug                                       |
| Dimensions (Ø x H)  | Ø129 x 110mm (Ø5.1" x 4.3")                                      |
| Weight              | 0.66kg(1.46lb)   |
| Material            | Metal  |
| Working Environment | -30°C ~ 60°C (-22°F ~ 140°F), Humidity: ≤95% RH (non-condensing) |
| Storage Environment | -30°C ~ 60°C (-22°F ~ 140°F), Humidity: ≤95% RH (non-condensing) |
| Surge Protection    | 6KV  |
| Reset Button        | Support  |

## Dimensions



## Accessories

TR-JB03-H-IN

Junction Box

TR-JB07/WM03-F-IN

Wall Mount

TR-WM03-B-IN

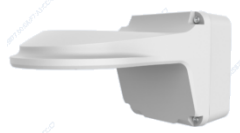
Wall Mount

TR-UP06-IN

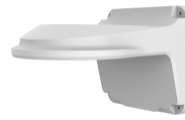
Pole Mount



TR-A01-IN  
Waterproof Joint



TR-SE24-IN  
Pendant Mount



TR-SE24-A-IN  
Pendant Mount



TR-CM24-IN  
Pendant Mount



| Junction Mount          | Pole Mount                                 |
|-------------------------|--|
| TR-JB03-H-IN            | TR-JB07/WM03-F-IN(TR-WM03-B-IN)+TR-UP06-IN |
|                         |  |
| TR-CM24-IN+TR-JB03-H-IN |  |
|                         |  |

**Zhejiang Uniview Technologies Co., Ltd.**

Building No. 369, Xietong Road, Xixing Sub-district, Binjiang District, Hangzhou City, Zhejiang Province, China (310051)

Email: [overseasbusiness@uniview.com](mailto:overseasbusiness@uniview.com); [globalsupport@uniview.com](mailto:globalsupport@uniview.com)

<http://www.uniview.com>

©2022 Zhejiang Uniview Technologies Co., Ltd. All rights reserved.

\*Product specifications and availability are subject to change without notice.