

## IPC-T250H 5 MP IR Fixed Network Turret Camera



### Key Features

- 1/2.7" progressive scan CMOS
- 2560 × 1920@15fps
- 2.8 mm/4 mm/6 mm fixed lens
- H.265+, H.265, H.264+, H.264
- Dual stream
- 3D DNR (Digital Noise Reduction)
- Up to 30 m IR range
- PoE (Power over Ethernet)
- IP67

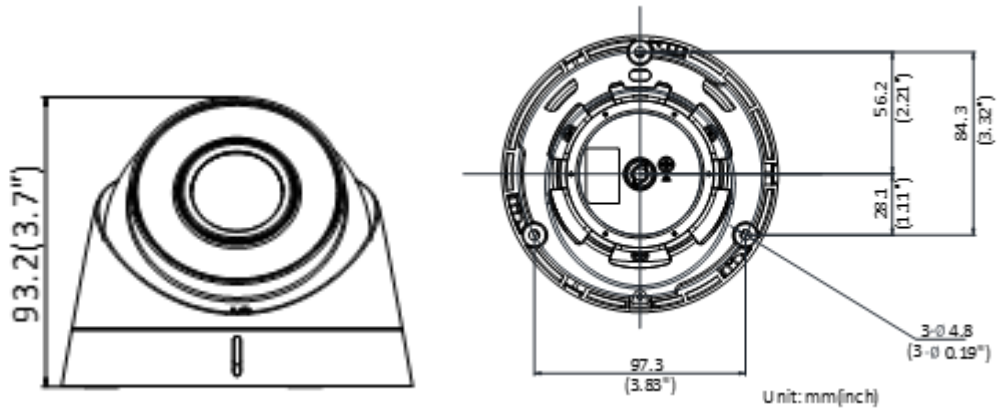
<b>Camera</b>	
Image Sensor	1/2.7" progressive scan CMOS
Min. Illumination	Color: 0.01 Lux @(F1.2, AGC ON), 0.028 Lux @ (F2.0, AGC ON)
Shutter Speed	1/3 s to 1/100, 000 s
Slow Shutter	Yes
Auto-Iris	No
Day & Night	IR cut filter
DNR (Digital Noise Reduction)	3D DNR
WDR (Wide Dynamic Range)	120 dB
Angle Adjustment (Bracket)	Pan: 0° to 360°, tilt: 0° to 75°, rotation: 0° to 360°
<b>Lens</b>	
Focal Length	2.8 mm, 4 mm, 6 mm
Aperture	F2.0
Focus	Fixed
FOV	2.8 mm, horizontal FOV 100°, vertical FOV 74°, diagonal FOV 130° 4 mm, horizontal FOV 75°, vertical FOV 55°, diagonal FOV 98° 6 mm, horizontal FOV 49°, vertical FOV 37°, diagonal FOV 60°
Lens Mount	M12
<b>IR</b>	
IR Range	Up to 30 m
Wavelength	850 nm
<b>Compression Standard</b>	
Video Compression	Main stream: H.265/H.264 Sub stream: H.265/H.264/MJPEG
H.264 Type	Baseline Profile/Main Profile/High Profile
H.264+	Main stream supports
H.265 Type	Main Profile
H.265+	Main stream supports
Video Bit Rate	32 Kbps to 8 Mbps
<b>Smart Feature-set</b>	
Region of Interest	1 fixed region for main stream and sub-stream
<b>Image</b>	
Max. Resolution	2560 × 1920
Main Stream Max. Frame Rate	50Hz: 12.5fps (2560 × 1920), 20fps (2560 × 1440), 25fps (2304 × 1296, 1920 × 1280, 1280 × 720) 60Hz: 15fps (2560 × 1920), 20fps (2560 × 1440), 30fps (2304 × 1296, 1920 × 1280, 1280 × 720)
Sub-stream Max. Frame Rate	50Hz: 25fps (640 × 480, 640 × 360, 320 × 240) 60Hz: 30fps (640 × 480, 640 × 360, 320 × 240)
Image Enhancement	BLC, 3D DNR
Image Settings	Saturation, brightness, contrast, sharpness, AGC, white balance adjustable by client software or web browser
Day/Night Switch	Auto, scheduled, day, night
<b>Network</b>	
Network Storage	NAS (NFS, SMB/CIFS)
Alarm Trigger	Motion detection, video tampering alarm, illegal login, network disconnected, IP address conflicted, HDD error, HDD full
Protocols	TCP/IP, ICMP, HTTP, HTTPS, FTP, DHCP, DNS, DDNS, RTP, RTSP, RTCP, PPPoE, NTP, UPnP, SMTP, SNMP, IGMP, 802.1X, QoS, IPv6 UDP, Bonjour

General Function	Heartbeat, mirror, password protection, privacy mask, watermark, IP address filter
Firmware Version	5.5.52
API	ONVIF (PROFILE S, PROFILE G), ISAPI
Simultaneous Live View	Up to 6 channels
User/Host	Up to 32 users 3 levels: Administrator, Operator, and User
Client	HiLookVision PC Client, HiLookVision App
Web Browser	IE8+, Chrome 41.0-44, Firefox 30.0-51, Safari 8.0-11
<b>Interface</b>	
Communication Interface	1 RJ45 10M/100M self-adaptive Ethernet port
<b>General</b>	
Operating Conditions	-30 °C to 60 °C (-22 °F to 140 °F), humidity: 95% or less (non-condensing)
Power Supply	12 VDC ± 25%, 5.5 mm coaxial power plug PoE (802.3af, class 3)
Power Consumption and Current	12 VDC, 0.5 A, Max: 5 W PoE: (802.3af, 36 V to 57 V), 0.2 A to 0.1 A, Max: 6.5 W
Protection Level	IP67
Material	Camera body: metal, bottom base: plastic
Dimensions	Camera: Ø 112 mm × 81.4 mm (Ø 4.4" × 3.2") With package: 150 mm × 150 mm × 141 mm (5.9" × 5.9" × 5.6")
Weight	Camera: approx. 400 g (0.9 lb.) With package: approx. 600 g (1.3 lb.)

## Available Models

IPC-T250H (2.8/4/6 mm)

## Dimensions



## Accessory



DS-1273ZJ-130-TRL  
Wall Mount



1275ZJ-SUS  
Vertical Pole Mount



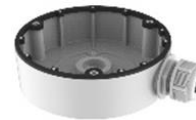
DS-1276ZJ-SUS  
Corner Mount



DS-1280ZJ-M  
Junction Box



DS-1281ZJ-M  
Inclined Ceiling Mount



DS-1280ZJ-DM8  
Junction Box